

# 10 GbE IP CONVERTER (IP GATEWAY) USF-10IP SERIES

Video over IP module for Universal System Frame USF-212AS. Dual 10 GbE (SFP+) module that converts input data between IP formats and between IP and SDI. Compatible with 4K (2SI/SQD) and multi-format\* input and output.

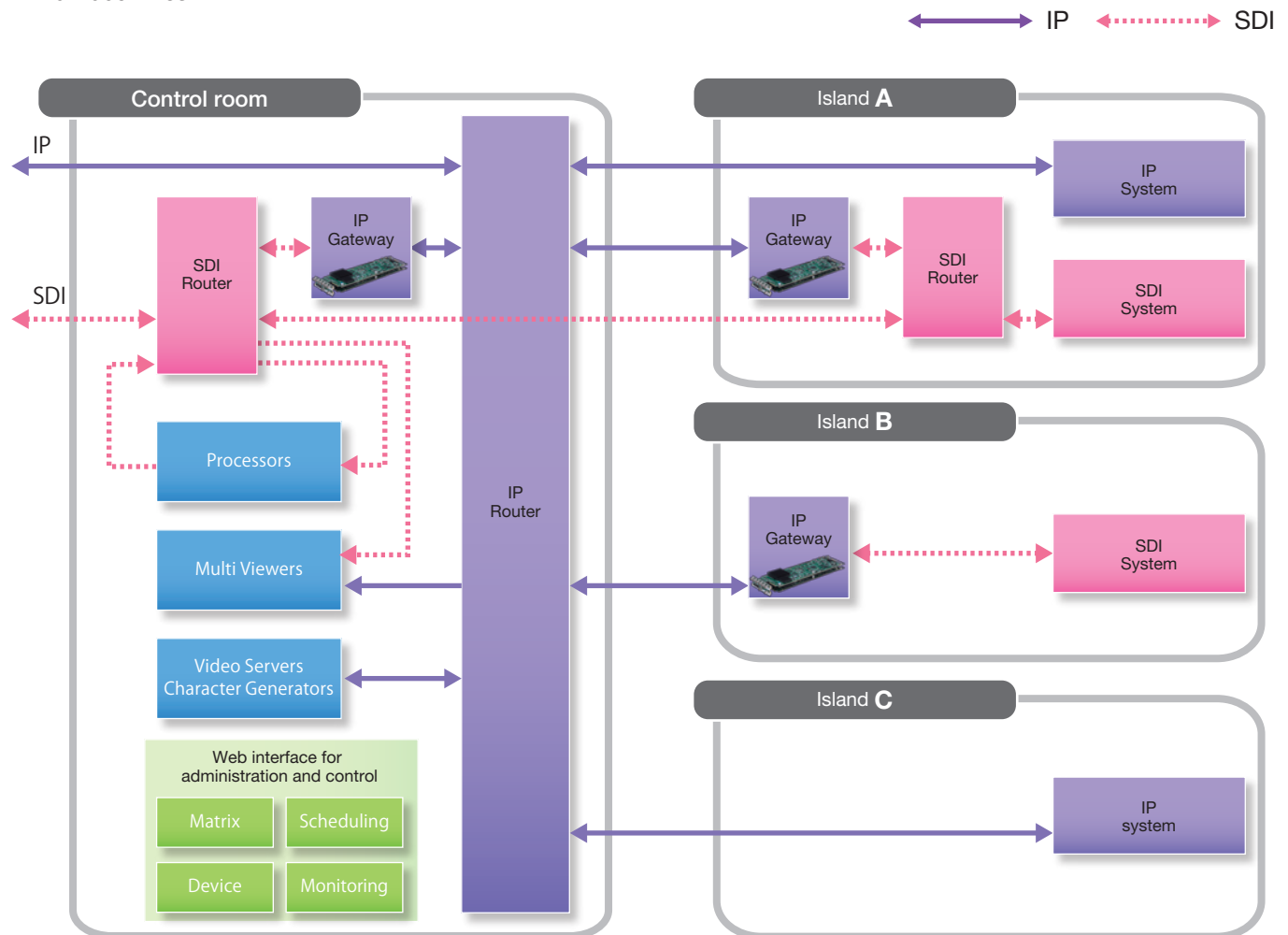
\* For details, contact your FOR-A dealer.



Universal System Frame USF-212AS

## Baseband and IP Hybrid System

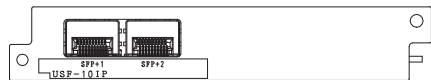
- The USF-10IP series integrates baseband and IP with broadband IP support, including IP/12G-SDI conversion. FOR-A's SDI and IP hybrid systems with the USF-10IP Series provide a single system for working with both SDI and IP.
- Take advantage of this IP flexibility to share and consolidate resources such as character generators, video servers, or signal processors. Change your system dynamically by allocating equipment to a control room or to individual lines.



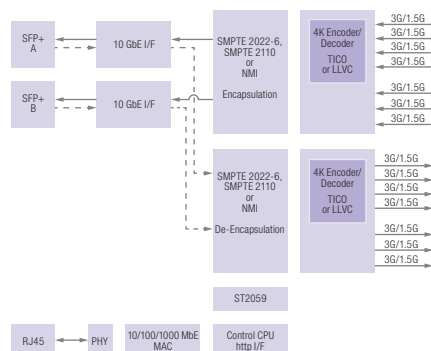
# 10 GbE IP CONVERTER (IP GATEWAY)

## Available Modules

### USF-10IP

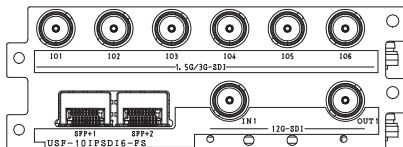


- Dual 10 GbE (SFP+) port
- Converts to other encapsulation modes
- Encapsulation modes:  
SMPTE ST2022-6/7/8, SMPTE 2110, NMI
- TICO codec support

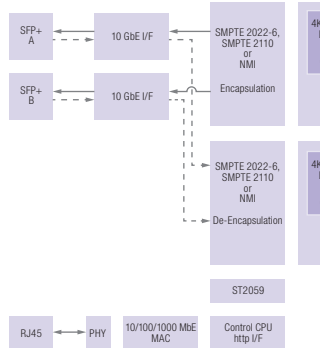


To USF Frame

### USF-10IPSDI6-FS

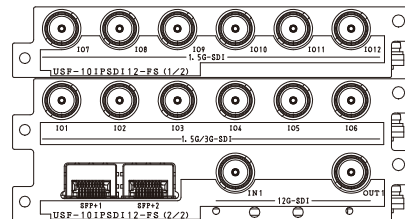


- Dual 10 GbE (SFP+) port
- 1-input/1-output 12G-SDI
- 6-input/output 3G/1.5G-SDI
- 2SI/SQD conversion, Level A/B compatible
- SMPTE 2022-6 (uncompressed):  
Simultaneous conversion of up to 6 inputs and 6 outputs (6 streams)
- Encapsulation modes:  
SMPTE ST2022-6/7/8, SMPTE 2110, NMI
- TICO codec support

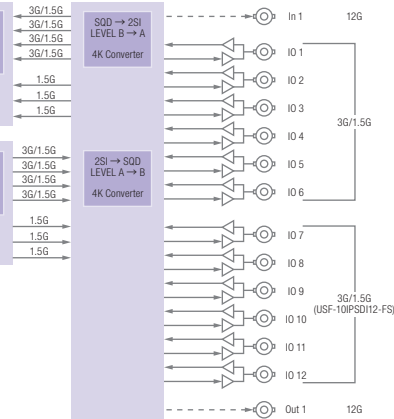


To USF Frame

### USF-10IPSDI12-FS



- Dual 10 GbE (SFP+) port
- 1-input/1-output 12G-SDI
- 12-input/output 3G/1.5G-SDI
- 2SI/SQD conversion, Level A/B compatible
- SMPTE 2022-6 (uncompressed):  
Simultaneous conversion of up to 6 inputs and 6 outputs (12 streams)
- Encapsulation modes:  
SMPTE ST2022-6/7/8, SMPTE 2110, NMI
- TICO codec support



## Specifications

		USF-10IP	USF-10IPSDI6-FS	USF-10IPSDI12-FS
Video input	SFP+	2 channels	2 channels	2 channels
	SDI	—	12G-SDI: 12 Gbps, BNC x 1 (input/output switching) 3G/1.5G-SDI: 3/1.5 Gbps, BNC x 6 (input/output switching) Signal format*1: 2SI or SQD (Level A/B*)	12G-SDI: 12 Gbps, BNC x 1 (input/output switching) 3G/1.5G-SDI: 3/1.5 Gbps, BNC x 12 (input/output switching) Signal format*1: 2SI or SQD (Level A/B*)
Video output	SFP+	2 channels	2 channels	2 channels
	SDI	—	12G-SDI: 12 Gbps, BNC x 1 (input/output switching) 3G/1.5G-SDI: 3/1.5 Gbps, BNC x 6 (input/output switching) Signal format*1: 2SI or SQD (Level A/B*)	12G-SDI: 12 Gbps, BNC x 1 (input/output switching) 3G/1.5G-SDI: 3/1.5 Gbps, BNC x 12 (input/output switching) Signal format*1: 2SI or SQD (Level A/B*)
IP format*2		SMPTE 2022-6/7/8, SMPTE 2110, NMI		
Max. number of modules mountable on USF-212AS		6	6	3

\*1 When using 3G-SDI \*2 Planned for future support



Head Office: 3-8-1 Ebisu, Shibuya-ku, Tokyo 150-0013, Japan

**FOR-A Corporation of America Corporate Office/ Service Center:**

Tel: +1 714-894-3311

11155 Knott Ave., Suite G, H & I, Cypress, CA 90630, U.S.A.

**FOR-A Corporation of America Northeast Office:**

Tel: +1 973-220-847

1360 Clifton Ave., Clifton, NJ 07012, U.S.A.

**FOR-A Corporation of America Support Center:**

Tel: +1 352-371-1505

2400 N.E. Waldo Road, Gainesville, FL 32609, U.S.A.

**FOR-A Latin America and the Caribbean Miami Office:**

Tel: +1 657-600-5759

**FOR-A Latin America and the Caribbean Sao Paulo Office:**

Tel: +55 11-99913-3751

**FOR-A Europe S.r.l.:**

Tel: +39 039-916-4811

Via Volturmo, 37, 20861 Brughiero MB, Italy

**FOR-A UK Limited:**

Tel: +44 (0)20-3044-2935

Trident Court, 1 Oakcroft Road, Chessington, KT9 1BD, UK

© 2019 FOR-A Company Ltd. FOR-A is a registered trademark of FOR-A Company Ltd. Design and specifications subject to change without notice.

ISO 9001 and 14001 certified (Sakura R&D)

[www.for-a.com](http://www.for-a.com)

**FOR-A Italia S.r.l.:**

Via Volturmo, 37, 20861, Brughiero MB, Italy

Tel: +39 039-881-086/103

**FOR-A Corporation of Korea:**

1007, 57-5, Yangsan-ro, Yeongdeungpo-gu, Seoul 150-103, Korea

Tel: +82 (0)2-2637-0761

**FOR-A China Limited:**

1618 Huateng Building, No. 302, 3 District, Jinsong, Chaoyang, Beijing 100021, China

Tel: +86 (0)10-8721-6023

**FOR-A Middle East-Africa Office:**

Dubai Media City, Aurora Tower, Office 1407, P.O. Box 502688, Dubai, UAE

Tel: +971 (0)4-551-5830

**AGIV (India) Private Limited:**

2nd Floor, Valecha Chambers, Link Road, Andheri (W), Mumbai 400053, India

Tel: +91 22-2673-3623

**FOR-A South East Asia Office:**

Studio 09, Rm. A1, 3/F., Phase 1, Hang Fung Ind. Bldg., 2G Hok Yuen St., Hung Hom, Hong Kong

Tel: +852 2110-1352

1903NPC