

10 GbE IP CONVERTER USF-10IP SERIES

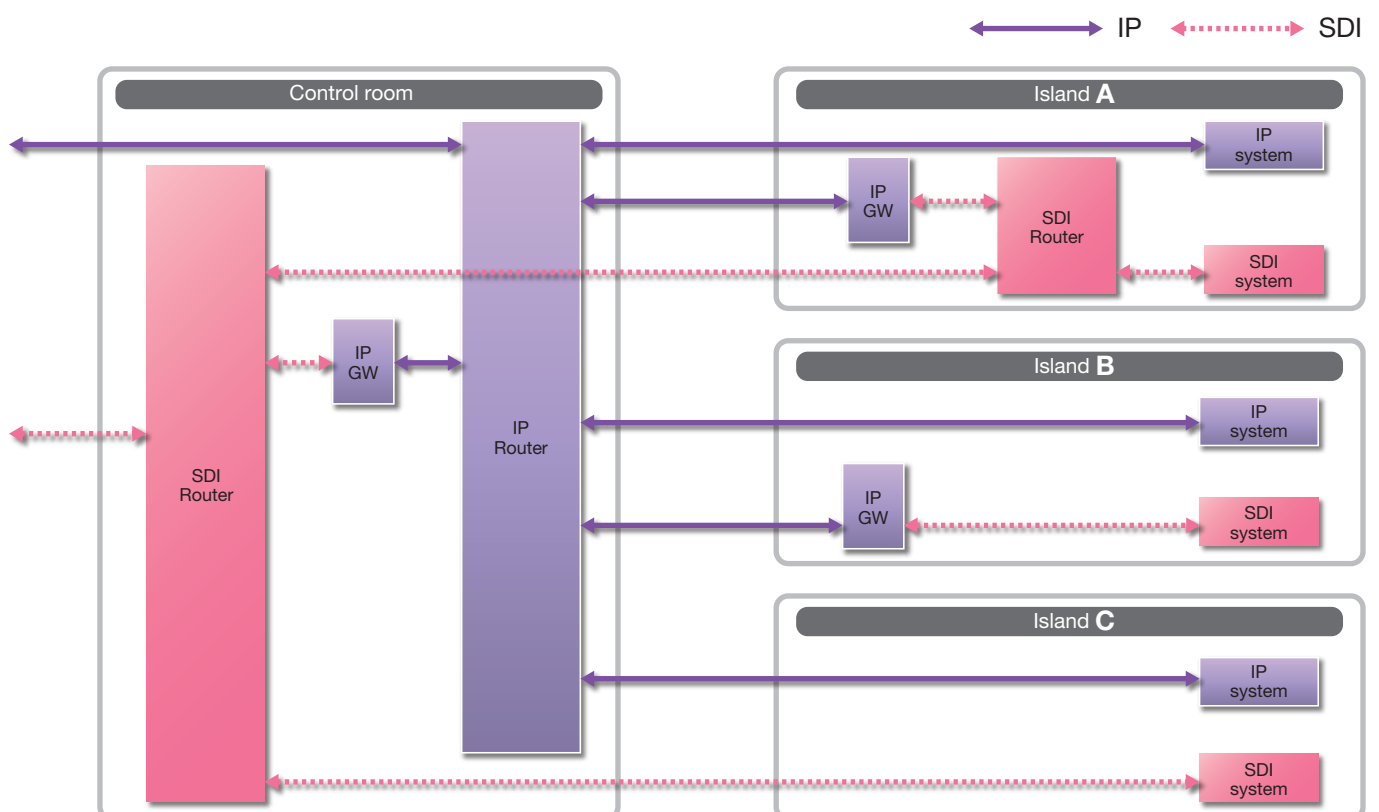
Video over IP module for Universal System Frame USF-212AS.

Dual 10 GbE (SFP+) module that converts input data between IP formats and between IP and SDI. Compatible with 4K (2SI/SQD) and multi-format* input and output.

* For details, contact your FOR-A dealer.

Baseband and IP Hybrid System

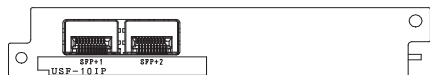
The broadcast industry has been gradually moving from traditional SDI systems to IP-based systems, and this trend has driven demand in system building for hybrid IP/SDI environments. IP gateways from FOR-A allow flexible system expansion, with broad IP format support, IP format conversion and IP/12G-SDI conversion. By incorporating IP formats, you can share and consolidate studio resources such as character generators, video servers or signal processors. Enjoy greater efficiency by allocating required equipment for a control room or individual lines. Free control of networked equipment also enables system building with remote production in mind.



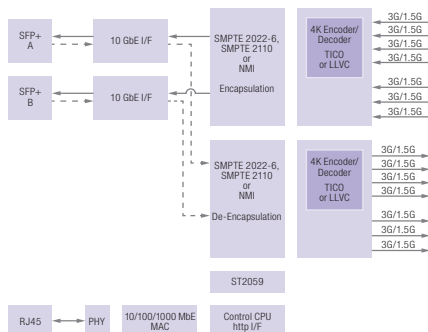
10 GbE IP CONVERTER

Available Modules

USF-10IP

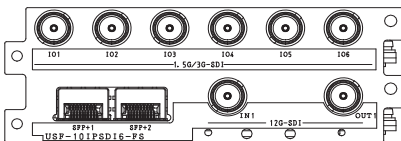


- Dual 10 GbE (SFP+) port
- Converts to other encapsulation modes
- Encapsulation modes: SMPTE 2022-6, SMPTE 2110, NMI

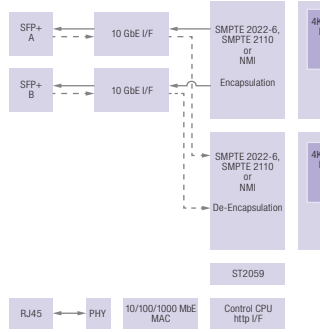


To USF Frame

USF-10IPSDI6-FS

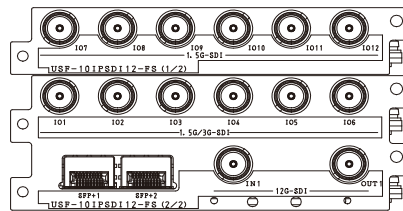


- Dual 10 GbE (SFP+) port
- 1-input/1-output 12G-SDI
- 6-input/output 3G/1.5G-SDI
- 2SI/SQD conversion, Level A/B compatible
- SMPTE 2022-6 (uncompressed): Simultaneous conversion of up to 6 inputs and 6 outputs (6 streams)
- Encapsulation modes: SMPTE 2022-6, SMPTE 2110, NMI

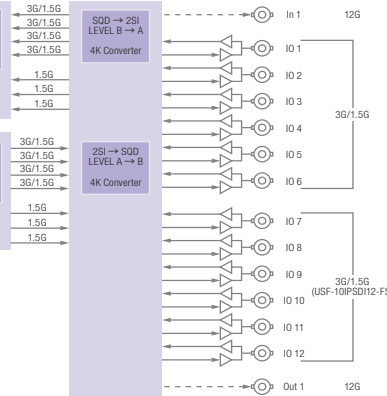


To USF Frame

USF-10IPSDI12-FS



- Dual 10 GbE (SFP+) port
- 1-input/1-output 12G-SDI
- 12-input/output 3G/1.5G-SDI
- 2SI/SQD conversion, Level A/B compatible
- SMPTE 2022-6 (uncompressed): Simultaneous conversion of up to 6 inputs and 6 outputs (12 streams)
- Encapsulation modes: SMPTE 2022-6, SMPTE 2110, NMI



Specifications (Preliminary)

		USF-10IP	USF-10IPSDI6-FS	USF-10IPSDI12-FS
Video input	SFP+	2 channels	2 channels	2 channels
	SDI	—	12G-SDI: 12 Gbps, BNC x 1 (Level A/B*) 3G/1.5G-SDI: 3/1.5 Gbps, BNC x 6 (Level A/B*) Signal format*1: 2SI or SQD	12G-SDI: 12 Gbps, BNC x 1 (Level A/B*) 3G/1.5G-SDI: 3/1.5 Gbps, BNC x 12 (Level A/B*) Signal format*1: 2SI or SQD
Video output	SFP+	2 channels	2 channels	2 channels
	SDI	—	12G-SDI: 12 Gbps, BNC x 1 (Level A/B*) 3G/1.5G-SDI: 3/1.5 Gbps, BNC x 6 (Level A/B*) Signal format*1: 2SI or SQD	12G-SDI: 12 Gbps, BNC x 1 (Level A/B*) 3G/1.5G-SDI: 3/1.5 Gbps, BNC x 12 (Level A/B*) Signal format*1: 2SI or SQD
IP format		SMPTE 2022-6, SMPTE 2110, NMI		

*1 When using 3G-SDI *2 Planned for future support



Head Office: 3-8-1 Ebisu, Shibuya-ku, Tokyo 150-0013, Japan

FOR-A Corporation of America Corporate Office: Tel: +1-714-894-3311

11155 Knott Ave., Suite G&H, Cypress, CA 90630, U.S.A.

FOR-A Corporation of America Northeast Office: Tel: +1-201-944-1120

2 Executive Drive, Suite 670, Fort Lee, NJ 07024, U.S.A.

FOR-A Corporation of America Southeast Office: Tel: +1-305-931-1700

8333 North West 53rd Street, Suite 450, Doral, FL 33166, U.S.A.

FOR-A Corporation of America Service Center: Tel: +1-352-371-1505

2400 N.E. Waldo Road, Gainesville, FL 32609, U.S.A.

FOR-A Europe S.r.l.: Tel: +39-039-916-4811

Via Voltumo, 37, 20861 Brugherio MB, Italy

FOR-A UK Limited: Tel: +44-(0)20-3044-2935

Trident Court, 1 Oakcroft Road, Chessington, KT9 1BD, UK

FOR-A Italia S.r.l.: Tel: +39-039-881-086/103

Via Voltumo, 37, 20861, Brugherio MB, Italy

FOR-A Corporation of Korea: Tel: +82-(0)2-2637-0761

1007, 57-5, Yangsan-ro, Yeongdeungpo-gu, Seoul 150-103, Korea

FOR-A China Limited: Tel: +86-(0)10-8721-6023

1618 Huateng Building, No. 302, 3 District, Jinsong, Chaoyang, Beijing 100021, China

FOR-A Middle East-Africa Office: Tel: +971-(0)4-551-5830

Dubai Media City, Aurora Tower, Office 1407, P.O. Box 502688, Dubai, UAE

AGIV (India) Private Limited: Tel: +91-22-2673-3623

2nd Floor, Valecha Chambers, Link Road, Andheri (W), Mumbai 400053, India

FOR-A South East Asia Office: Tel: +852-2110-9227

Studio 09, Rm. A1, 3/F., Phase 1, Hang Fung Ind. Bldg., 2G Hok Yuen St., Hung Hom, Hong Kong

ISO 9001 and 14001 certified (Sakura R&D)

www.for-a.com