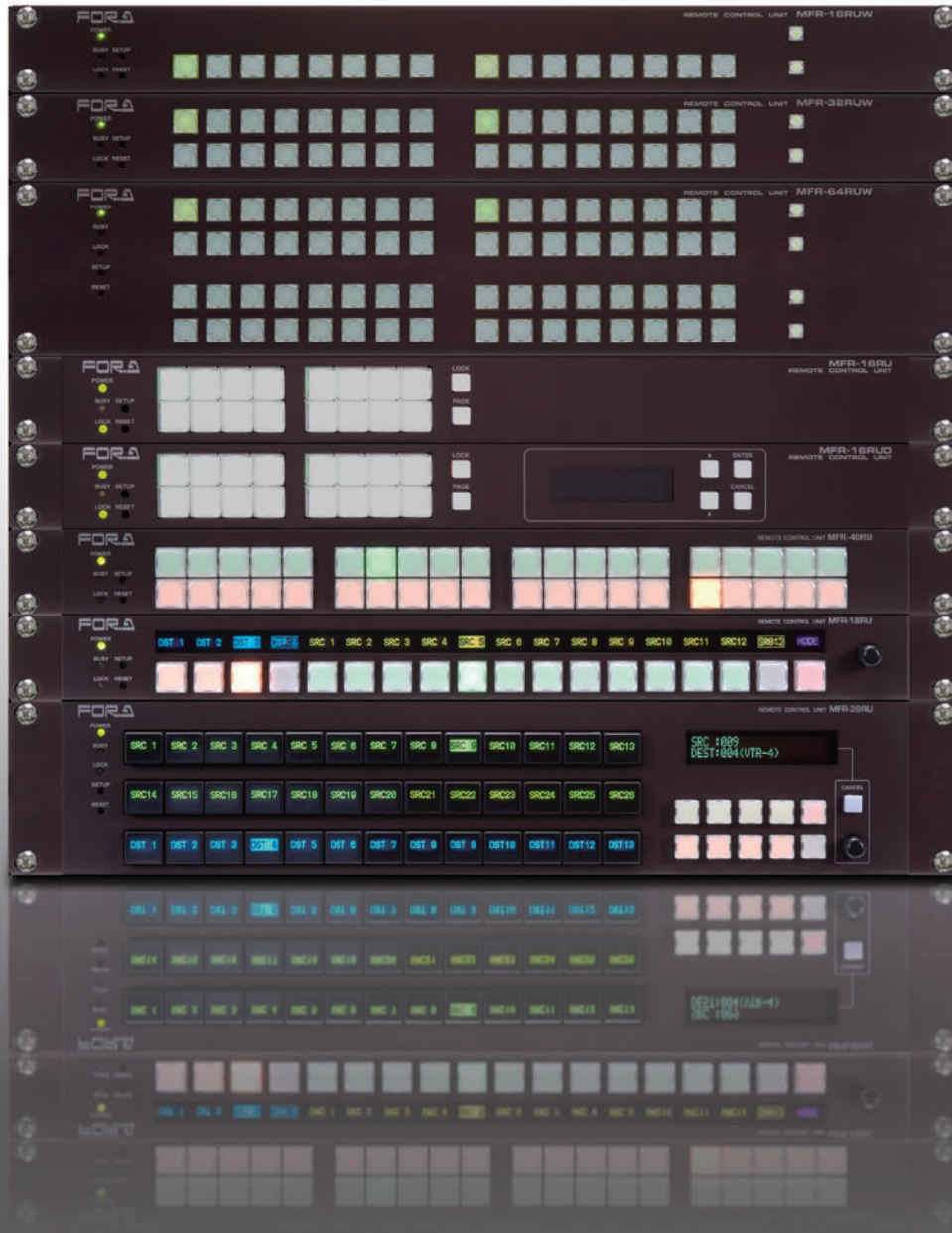
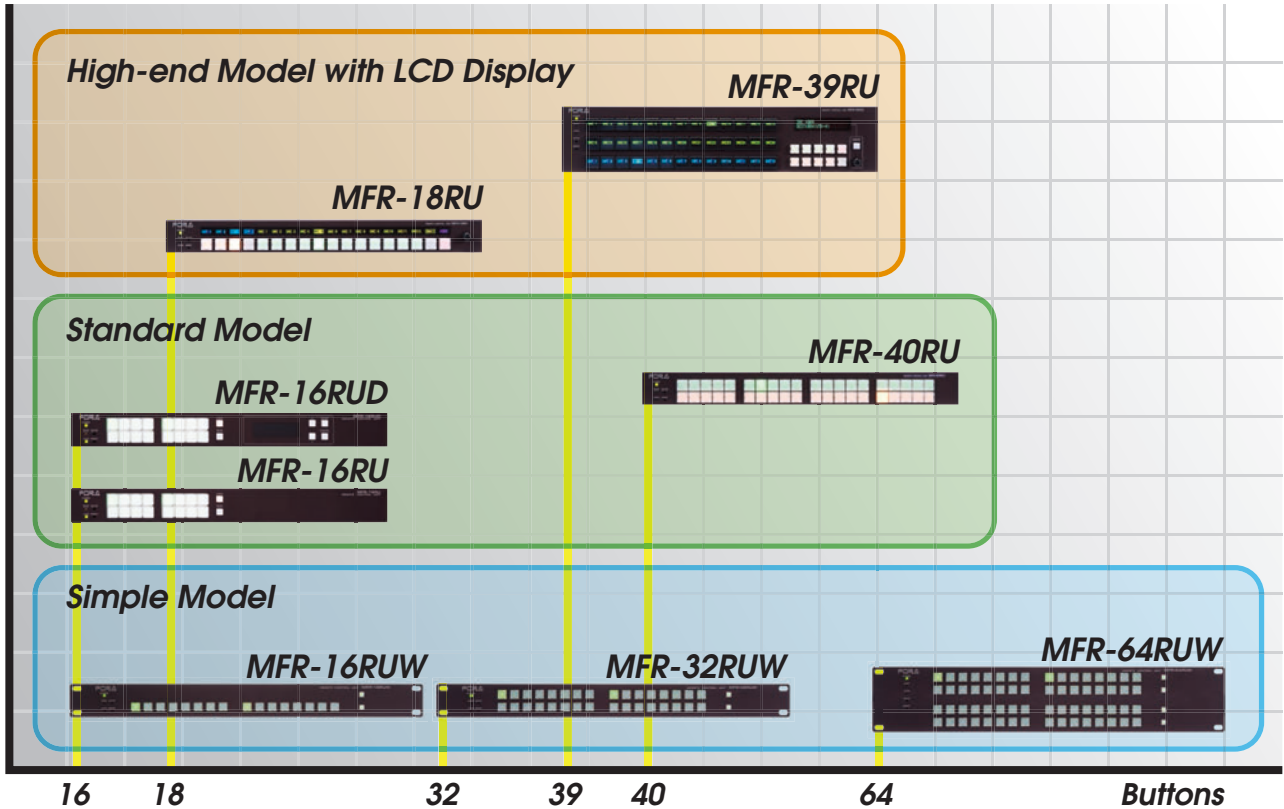


REMOTE CONTROL UNIT MFR-RU SERIES



Product Line-up

Functions



Main Unit Line-up

MFR-1616/1616R/3216/3232



Multi-format routing switchers that support 3G-SDI, HD-SDI, SD-SDI and ASI signals. FOR-A features four models, each with a different number of inputs and outputs.

MFR-5000



The MFR-5000 Series is a group of multi-format routing switchers supporting 3G-SDI, HD-SDI, SD-SDI, ASI and AES. Inside the 8 U case a matrix of up to 128 inputs/128 outputs can be configured.

MFR-1616A

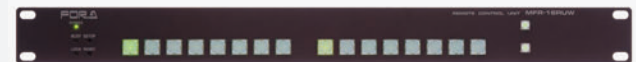


AES audio dedicated model, 16 inputs/16 outputs.

Product Details

Simple Model

MFR-16RUW



- 1 U compact size
- 16 buttons (Single color: G)
- Any function can be assigned to the 16 buttons
- 2 dedicated function buttons

MFR-32RUW



- 1 U compact size
- 32 buttons (Single color: G)
- Any function can be assigned to the 32 buttons
- 2 dedicated function buttons

MFR-64RUW



- 2 U size
- 64 buttons (Single color: G)
- Any function can be assigned to the 64 buttons
- 4 dedicated function buttons

Select Your System and Usage

Information displays

MFR-18RU

MFR-39RU

Page up/down functions

Up to 2 pages

MFR-16RU

MFR-16RUD

Up to 32 pages

MFR-18RU

MFR-39RU

Up to 32 pages (w/o information displays)

MFR-16RUW

MFR-32RUW

MFR-40RU

MFR-64RUW

Redundant power supply unit

MFR-18RU

MFR-39RU

MFR-40RU

Parameter settings

MFR-16RUD

MFR-39RU

Up to 18 buttons

16 buttons

MFR-16RUW

MFR-16RU

MFR-16RUD

18 buttons

MFR-18RU

32+ buttons

32 buttons

MFR-32RUW

40 buttons

MFR-40RU

64 buttons

MFR-64RUW

Multi-colored buttons

MFR-18RU

MFR-39RU

MFR-40RU

All-purpose model

MFR-39RU

Simple/cost-effective model

MFR-16RUW

MFR-32RUW

MFR-64RUW

Standard Model

MFR-16RU



- 1 U compact size
- 16 buttons (Single color: G)
- Any function can be assigned to the 16 buttons
- 2 function buttons (lock/page)

MFR-16RUD



- 1 U compact size
- 16 buttons (Single color: G)
- Any function can be assigned to the 16 buttons
- Equipped with a status and setting menu display
- 2 function buttons (lock/page)

MFR-40RU



- 1 U compact size
- 40 buttons (3 colors: R, G, Or)
- Any function can be assigned to any button
- Redundant power supply (AC adapter)

High-end Model with LCD Display

MFR-18RU



- 1 U compact size
- 18 buttons (3 colors: R, G, B)
- Equipped with LCD display that can show source name and assigned functions for each button (7 colors: R, G, Ye, B, W, Cy, Mg)
- Any function can be assigned to any button
- Redundant power supply (AC adapter)

MFR-39RU

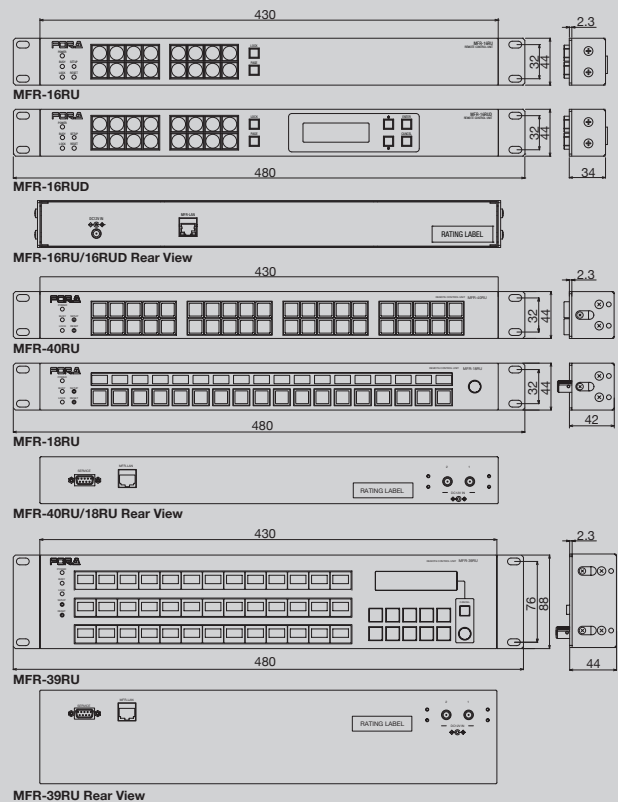
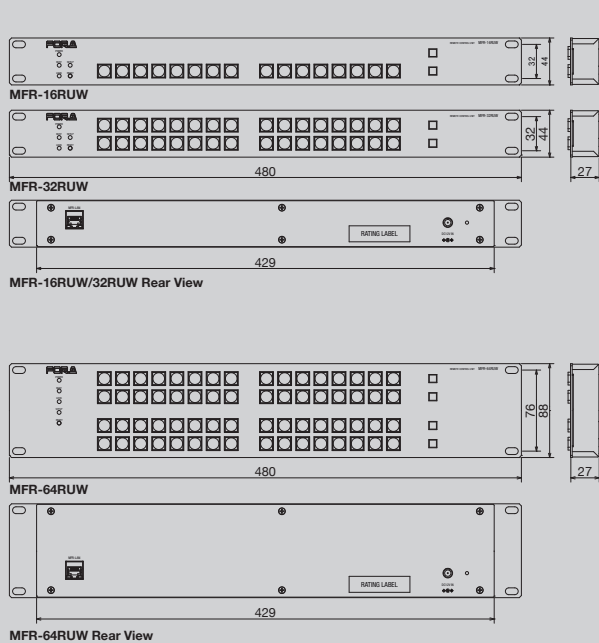


- 2 U size
- 39 buttons: 13 buttons in 3 rows. Buttons with LCD display that can show source names or assigned functions (7 colors: R, G, Ye, B, W, Cy, Mg)
- Apart from the main buttons, there are 10 function buttons that can be freely assigned (3 colors: R, G, Or)
- Equipped with display showing status and setting menu display
- Ideal as a main control unit covering the entire crosspoint set-up
- Redundant power supply (AC adapter)

Specifications

	Simple Model			Standard model			Highend model with LCD display	
Model Name	MFR-16RUW	MFR-32RUW	MFR-64RUW	MFR-16RU	MFR-16RUD	MFR-40RU	MFR-18RU	MFR-39RU
Buttons/Colors	16 buttons (1 color only: green) user assignable 2 function buttons user assignable	32 buttons (1 color only: green) user assignable 2 function buttons user assignable	64 buttons (1 color only: green) user assignable 4 function buttons user assignable	16 buttons (1 color only: green) user assignable 2 function buttons (for Lock/Page function)	16 buttons (1 color only: green) user assignable 2 function buttons (for Lock/Page function)	40 buttons (3-color: red/green/orange) user assignable	18 buttons (3-color: red/green/orange) user assignable	39 buttons (LCD buttons, 7-color) user assignable 10 buttons (3-color: red/green/orange) user assignable
Name Display	None	None	None	None	None	None	Available (Displayed above each button) LCD display × 18 (Max. 7 characters × 2 lines)	Available (Displayed above each button) LCD display × 39 (Max. 7 characters × 2 lines)
Menu Display	None	None	None	None	Available (Max. 16 characters × 2 lines)	None	None	Available (Max. 23 characters × 2 lines)
Rotary selector	None	None	None	None	None	None	Available	Available
Number of Connections	Max. 128 units							
Interfaces	MFR-LAN: 10/100 Base-TX RJ-45 × 1 (for connection to MU; network hub required for connecting to multiple MUs)							
SERVICE:	None	None	None	None	None	RS-232C 9-pin D-sub (male) × 1 (for maintenance)		
Power	+12 VDC Pin-connector × 1					+12 VDC Pin-connector × 2 (redundant power supply as standard)		
Consumption when 100 VAC	8 VA	10 VA	14 VA	7 VA	8 VA	10 VA	12 VA	17 VA
when 240 VAC	11 VA	13 VA	17 VA	11 VA	11 VA	15 VA	18 VA	22 VA
Dimensions (W x H x D)	480 x 44 x 27 mm	480 x 44 x 27 mm	480 x 88 x 27 mm	430 x 44 x 34 mm	430 x 44 x 34 mm	430 x 44 x 42 mm	430 x 44 x 42 mm	430 x 88 x 44 mm
Weight	1 kg	1 kg	2 kg	1 kg	1 kg	2 kg	2 kg	3 kg
Accessories	AC adapter and AC cable x 1 AC adapter connection kit x 1			AC adapter and AC cable x 1 AC adapter connection kit x 1 Rack mount brackets LAN cable				

External Dimensions



FOR-A COMPANY LIMITED

Head Office: 3-8-1 Ebisu, Shibuya-ku, Tokyo 150-0013, Japan

FOR-A Corporation of America: 11155 Knott Ave., Suite G&H, Cypress, CA 90630, U.S.A.

FOR-A Corporation of America East Coast Office: 2 Executive Drive, Suite 670, Fort Lee Executive Park, Fort Lee NJ 07024, U.S.A.

FOR-A Corporation of America Distribution & Service Center: 2400 N.E. Waldo Road, Gainesville, FL 32609, U.S.A.

FOR-A Corporation of America Miami Office: 5200 Blue Lagoon Drive, Suite 760, Miami, FL 33126, U.S.A.

FOR-A Corporation of Korea: 1007, 57-5, Yongsan-ro, Yeongdeungpo-gu, Seoul 150-103, Korea

FOR-A Europe S.r.l.: Via Volturmo, 37, 20861 Brugherio MB, Italy

FOR-A UK Limited: Trident Court, 1 Oakcroft Road, Chessington, KT9 1BD, UK

FOR-A Italia S.r.l.: Via Volturmo, 37, 20861, Brugherio MB, Italy

FOR-A Corporation of Korea: 1007, 57-5, Yongsan-ro, Yeongdeungpo-gu, Seoul 150-103, Korea

FOR-A China Limited: 708B Huateng Building, No. 302, 3 District, Jinsong, Chaoyang, Beijing 100021, China

FOR-A Middle East-Africa Office: Jebel Ali Free Zone, LOB-16, Office 619, P.O. Box 261914, Dubai, U.A.E.

URL: <http://www.for-a.com/>

Tel : +81 (0)3-3446-3936

Tel : +1-714-894-3311

Tel : +1-201-944-1120

Tel : +1-352-371-1505

Tel : +1-305-931-1700

Tel : +1-416-977-0343

Tel : +39-039-879-778

Tel : +44 (0)20-3044-2935

Tel : +39-039-881-086/103

Tel : +82 (0)2-2637-0761

Tel : +86 (0)10-8721-6023

Tel : +971 4 887 6712

Fax : +81 (0)3-3446-1470

Fax : +1-714-894-5399

Fax : +1-201-944-1132

Fax : +1-352-378-5320

Fax : +1-305-264-7890

Fax : +1-416-977-0657

Fax : +39-039-878-140

Fax : +44(0)20-3044-2936

Fax : +39-039-878-140

Fax : +82 (0)2-2637-0760

Fax : +86 (0)10-8721-6033

Fax : +971 4 887 6713

ISO 9001 and 14001 certified (Sakura R&D)

© 2013 FOR-A Company Ltd. FOR-A is a registered trademark of FOR-A Company Ltd. Design and specifications subject to change without notice. Printed in Japan. 1308LM01A