

12G-SDI/QUAD LINK 3G-SDI CONVERTER MFC-2GB

12G-SDI/quad link 3G-SDI conversion over two Gearbox channels,
 and 2SI/SQD conversion

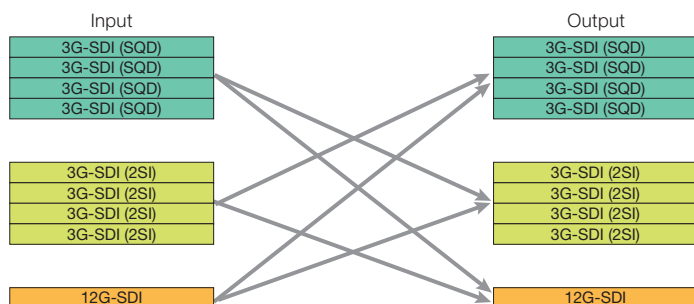


- 9 12G-SDI inputs and 2 outputs
- Automatic Variable Delay Line (AVDL)
- Choose from 1H or 1-frame delay*
- Line Lock feature syncs source signals*
- Ancillary data passthrough*
- Front menu display for maintenance
- Supports RS-422

* Available for signals in the same division method

Gearbox Functionality

Versatile signal conversion



4K conversion (12G-SDI/quad link 3G-SDI, 2SI/SQD)

Converts video signals between 12G-SDI and quad link 3G-SDI, and between 2SI and SQD. Enables ongoing use of older equipment when building a 12G-SDI system.

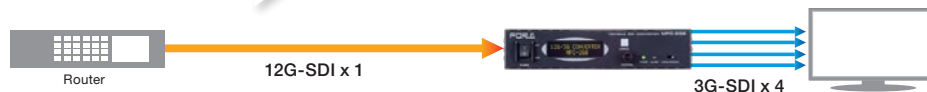
Applications

Conversion of quad link 3G-SDI camera output to 12G-SDI.

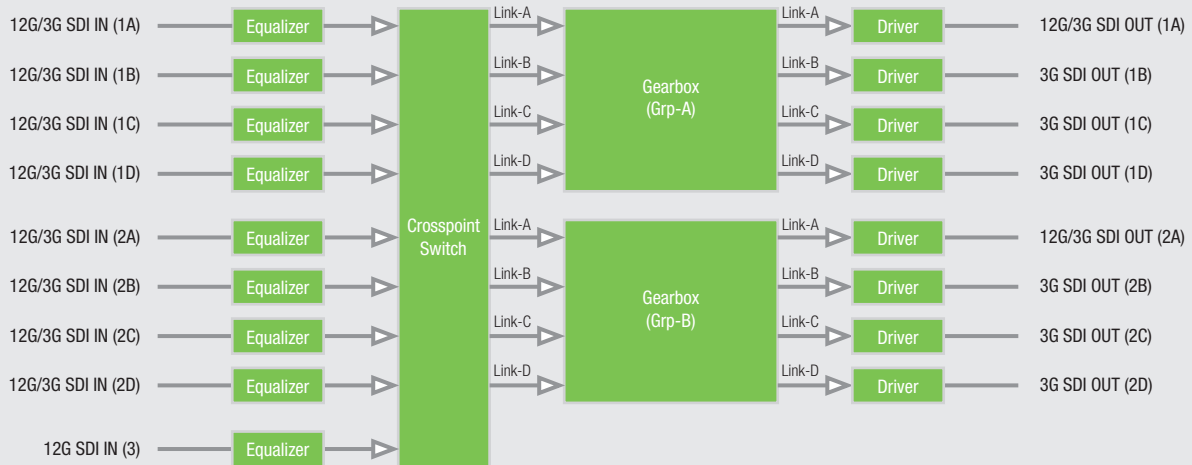


12G-SDI transmission greatly reduces cables

Conversion of 12G-SDI router output to quad link 3G-SDI for monitors



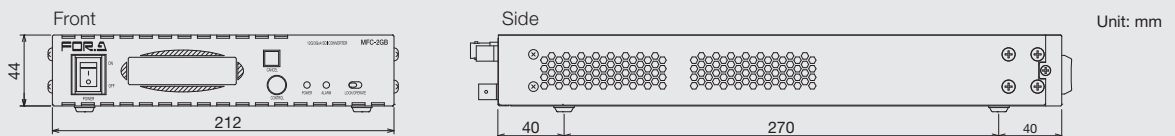
Block diagram



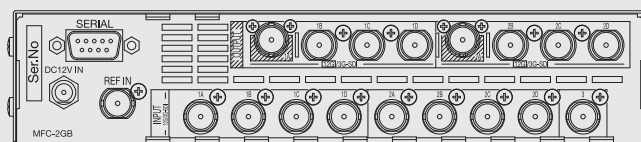
Specifications

Video format	4K UHD: 3840 x 2160p/59.94, 50 Single-Link 12G-SDI or Quad-Link 3G-SDI (Level-A)
Video input	75Ω BNC x 9 Single-Link 12G-SDI Max. x 9 (SMPTE ST 2082-10 compliant) Quad-Link 3G-SDI Max. x 2 (SMPTE ST 425-5 compliant)
Video output	75Ω BNC x 8 Single-Link 12G-SDI Max. x 2 (SMPTE ST 2082-10 compliant) Quad-Link 3G-SDI Max. x 2 (SMPTE ST 425-5 compliant)
Quantization	10-bit 4:2:2
Genlock input (REF IN)	BB: NTSC: 0.429 Vp-p/PAL: 0.45 Vp-p, or Tri-level Sync: 0.6 Vp-p, 75Ω, BNC x 1
Sync mode	GENLOCK or SDI INPUT (1H and AVDL)
I/O delay adjustment	0 frame+[0.3-1] H, 1 frame+[0-1]H
Ancillary data	Pass-through or masked selectable
Interface	RS-422: 9-pin D-sub (female) x 1
Temperature/humidity	0°C to 40°C/30% to 85% (no condensation)
Power/consumption	DC12 V/AC 100-120 V: 90 VA (50 W), AC 220-240 V: 99 VA (52 W)
Dimensions/weight	212 (W) x 44 (H) x 350 (D) mm/3 kg
Accessories	Operation manual (CD-ROM), AC power adaptor, AC cord
Consumables	AC power adaptor: Replace every 5 years Fans (P-1583, P-1584): Replace every 4 years
Option	Rack mount brackets (single mount or dual mount)

External view



Rear view



Head Office: 3-8-1 Ebisu, Shibuya-ku, Tokyo 150-0013, Japan

- FOR-A Corporation of America Corporate Office:** Tel: +1-714-894-3311
11155 Knott Ave., Suite G&H, Cypress, CA 90630, U.S.A.
- FOR-A Corporation of America Northeast Office:** Tel: +1-201-944-1120
2 Executive Drive, Suite 670, Fort Lee, NJ 07024, U.S.A.
- FOR-A Corporation of America Southeast Office:** Tel: +1-305-931-1700
8333 North West 53rd Street, Suite 450, Doral, FL 33166, U.S.A.
- FOR-A Corporation of America Service Center:** Tel: +1-352-371-1505
2400 N.E. Waldo Road, Gainesville, FL 32609, U.S.A.
- FOR-A Europe S.r.l.:** Tel: +39-039-916-4811
Via Volturmo, 37, 20861 Brugherio MB, Italy
- FOR-A UK Limited:** Tel: +44-(0)20-3044-2935
Trident Court, 1 Oakcroft Road, Chessington, KT9 1BD, UK

ISO 9001 and 14001 certified (Sakura R&D)

www.for-a.com

- FOR-A Italia S.r.l.:** Tel: +39-039-881-086/103
Via Volturmo, 37, 20861, Brugherio MB, Italy
- FOR-A Corporation of Korea:** Tel: +82-(0)2-2637-0761
1007, 57-5, Yangsan-ro, Yeongdeungpo-gu, Seoul 150-103, Korea
- FOR-A China Limited:** Tel: +86-(0)10-8721-6023
1307 Huateng Building, No. 302, 3 District, Jinsong, Chaoyang, Beijing 100021, China
- FOR-A Middle East-Africa Office:** Tel: +971-(0)4-551-5830
Dubai Media City, Aurora Tower, Office 1407, P.O. Box 502688, Dubai, UAE
- Agiv FOR-A India Private Limited:** Tel: +91-22-2673-3623
2nd Floor, Valecha Chambers, Link Road, Andheri (W), Mumbai 400053, India
- FOR-A South East Asia Office:** Tel: +852-2110-1352
Studio 09, Rm. A1, 3/F., Phase 1, Hang Fung Ind. Bldg., 2G Hok Yuen St., Hung Hom, Hong Kong