

# 12G-SDI / QUAD LINK 3G-SDI CONVERTER MFC-2GB

12G-SDI / quad link 3G-SDI conversion over two Gearbox channels,  
 and 2SI / SQD conversion



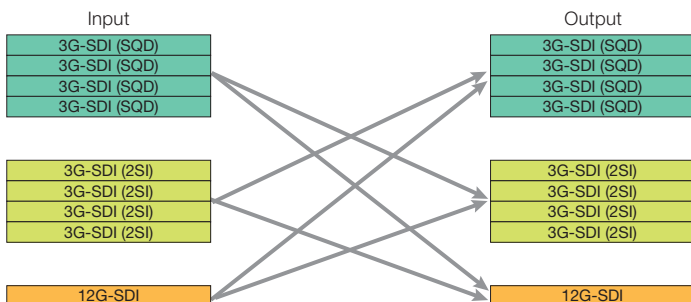
- 9 12G-SDI inputs and 2 outputs
- Automatic Variable Delay Line (AVDL)
- Choose from 1H or 1-frame delay\*
- Line Lock feature syncs source signals\*

- Ancillary data passthrough\*
- Front menu display for maintenance
- Supports RS-422

\* Available for signals in the same division method

## Gearbox Functionality

### Versatile signal conversion



### 4K conversion (12G-SDI/quad link 3G-SDI, 2SI/SQD)

Converts video signals between 12G-SDI and quad link 3G-SDI, and between 2SI and SQD. Enables ongoing use of older equipment when building a 12G-SDI system.

## Applications

Conversion of quad link 3G-SDI camera output to 12G-SDI.

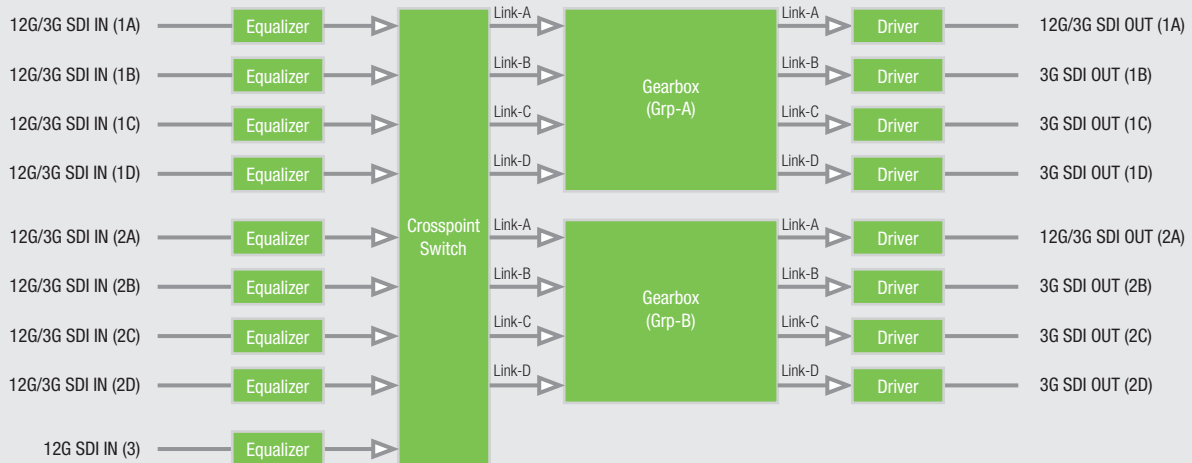


**12G-SDI transmission greatly reduces cables**

Conversion of 12G-SDI router output to quad link 3G-SDI for monitors



**Block diagram**

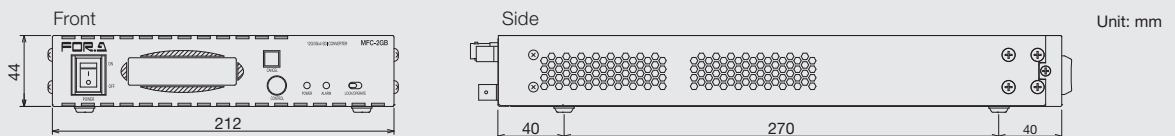


**Specifications**

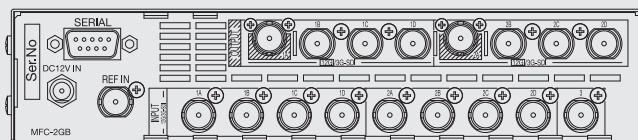
Video format	2160/50p, 2160/59.94p (Level-A, 2SI/SQD)
Video input	12G-SDI: 75Ω, BNC x 1 12G-SDI or 3G-SDI: 75Ω, BNC x 8 Color format: YCbCr (4:2:2) Quantization: 10-bit
Video output	12G-SDI or 3G-SDI: 75Ω, BNC x 2 3G-SDI: 75Ω, BNC x 6 Color format: YCbCr (4:2:2) Quantization: 10-bit
Reference input	BB: NTSC: 0.429 Vp-p / PAL: 0.45 Vp-p or Tri-sync: ±0.3 Vp-p, BNC x 1 (without loop-through)
Delay	Delay Type-1*: 1H or 1 frame (+1H) Delay Type-2*: 1 frame (+1H)
Interface	RS-422: D-sub 9-pin (female) x 1
Temperature / humidity	0°C to 40°C / 30% to 85% (no condensation)
Power / consumption	DC12 V / 40 VA
Dimensions / weight	212 (W) x 44 (H) x 350 (D) mm / 3 kg
Accessories	Operation manual (CD-ROM), AC power adaptor, AC cord
Consumables	AC power adaptor: Replace every 5 years Fans (P-1583, P-1584): Replace every 4 years
Option	Rack mount brackets

\*1 Without mapping format conversion during input/output  
\*2 With mapping format conversion during input/output

**External view**



**Rear view**



Head Office: 3-8-1 Ebisu, Shibuya-ku, Tokyo 150-0013, Japan

ISO 9001 and 14001 certified (Sakura R&D)

<http://www.for-a.com/>

**FOR-A Corporation of America Corporate Office:** Tel: +1-714-894-3311  
11155 Knott Ave., Suite G&H, Cypress, CA 90630, U.S.A.

**FOR-A Corporation of America Northeast Office:** Tel: +1-201-944-1120  
2 Executive Drive, Suite 670, Fort Lee Executive Park, Fort Lee, NJ 07024, U.S.A.

**FOR-A Corporation of America Southeast Office:** Tel: +1-305-931-1700  
8333 North West 53rd Street, Suite 450, Doral, FL 33166, U.S.A.

**FOR-A Corporation of America Service Center:** Tel: +1-352-371-1505  
2400 N.E. Waldo Road, Gainesville, FL 32609, U.S.A.

**FOR-A Corporation of Canada:** Tel: +1-416-977-0343  
1131A, Leslie Street #209, Toronto, Ontario, M3C 3L8, CANADA

**FOR-A Europe S.r.l.:** Tel: +39-039-879-778  
Via Volturmo, 37, 20861 Brugherio MB, Italy

**FOR-A UK Limited:** Tel: +44-(0)20-3044-2935  
Trident Court, 1 Oakcroft Road, Chessington, KT9 1BD, UK

**FOR-A Italia S.r.l.:** Tel: +39-039-881-086/103  
Via Volturmo, 37, 20861, Brugherio MB, Italy

**FOR-A Corporation of Korea:** Tel: +82-(0)2-2637-0761  
1007, 57-5, Yangsan-ro, Yeongdeungpo-gu, Seoul 150-103, Korea

**FOR-A China Limited:** Tel: +86-(0)10-8721-6023  
1307 Huateng Building, No. 302, 3 District, Jinsong, Chaoyang, Beijing 100021, China

**FOR-A Middle East-Africa Office:** Tel: +971-(0)4-551-5830  
Dubai Media City, Aurora Tower, Office 1407, P.O. Box 502688, Dubai, UAE

**Agiv (India) Private Limited (FOR-A India):** Tel: +91-22-2673-3623  
2nd Floor, Valecha Chambers, Link Road, Andheri (W), Mumbai 400053, India

**FOR-A South East Asia Office:** Tel: +852-2110-1352  
Studio 09, Rm. A1, 3/F., Phase 1, Hang Fung Ind. Bldg., 2G Hok Yuen St., Hung Hom, Hong Kong