

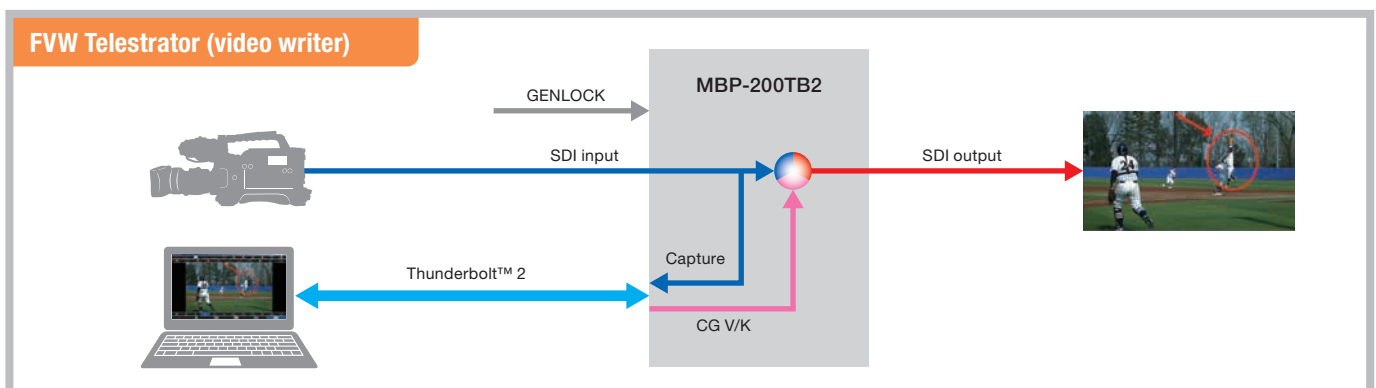
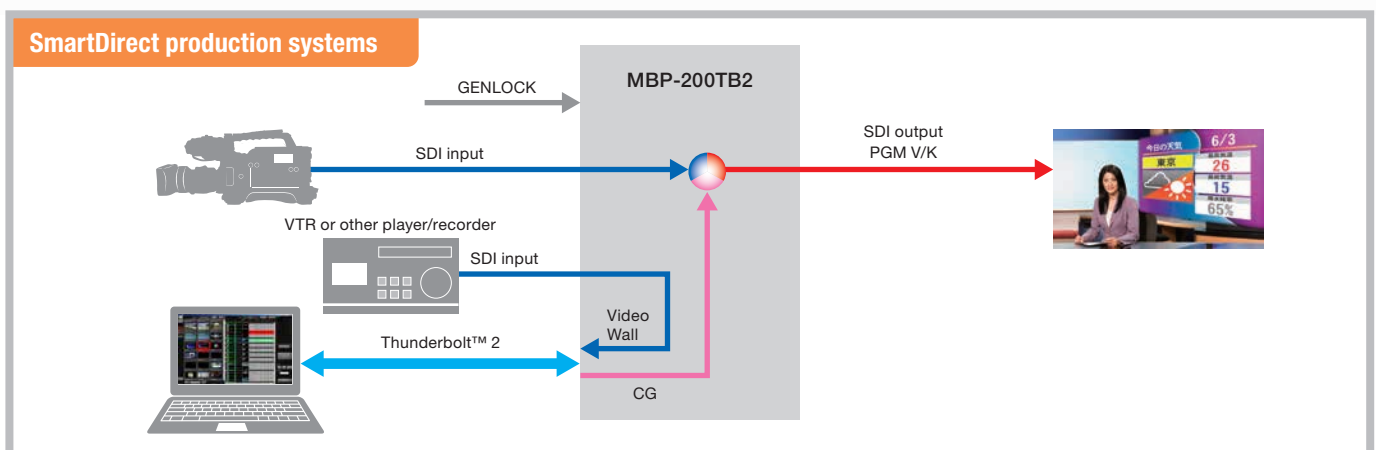
THUNDERBOLT™ 2 CG PLAYER MBP-200TB2

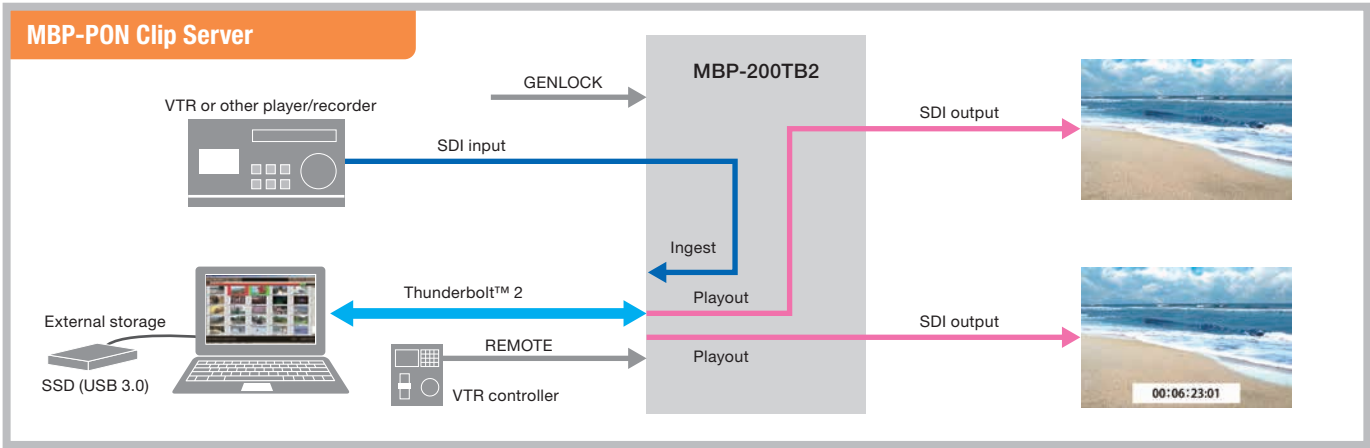
Single-cable transfer for a wide range of graphics applications: RCG, video marking, clip server playout and more. No need for a workstation or dedicated graphics station—just connect a notebook, camera, or other piece of video equipment.



- Easily transfer large amounts of data over Thunderbolt™ 2
- Compact, easy to move, 1U half-rack form factor
- Format support: 1080/59.94i, 1080/50i, 720/59.94p, and 720/50p; 2 HD-SDI inputs and 5 outputs
- Serial port (RS-422), GPIO port (5 inputs, 5 outputs)

Versatile—can be used with a variety of software installed on one computer

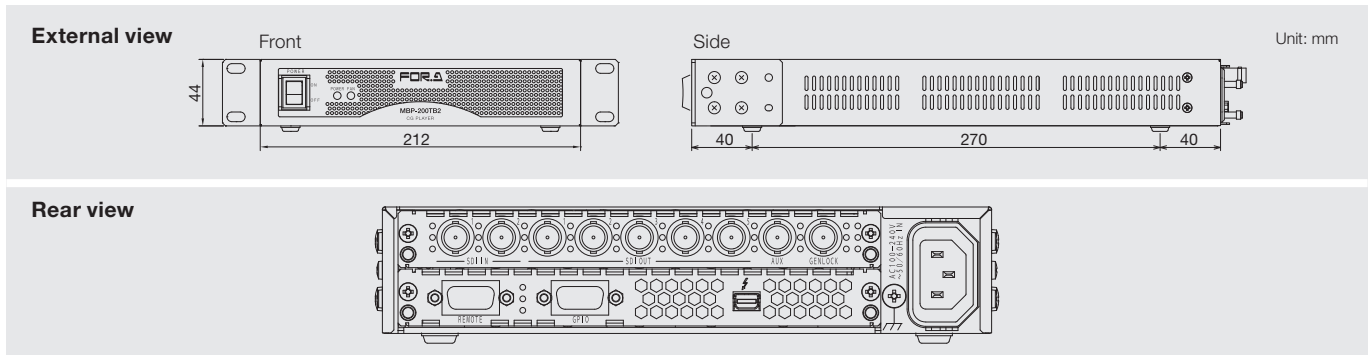




Specifications

Video format	HD-SDI: 1080/59.94i, 1080/50i, 720/59.94p, 720/50p
Video input	HD-SDI: 1.5 Gbps, 75Ω, BNC x 2
Video output	HD-SDI: 1.5 Gbps, 75Ω, BNC x 5
Reference input	BB: NTSC 0.429 Vp-p / Tri-sync: 0.6 Vp-p, 75Ω, BNC x 1
Interfaces	REMOTE: D-sub 9-pin (female) x 1 (RS-422) GPIO 1-5: D-sub 15-pin (female) x 1, 5 inputs, 5 outputs (insulated input, insulated open-collector output) Thunderbolt: Thunderbolt™ 2 x 1
Temperature / humidity	0°C to 40°C / 20% to 80% (no condensation)
Power / consumption	100 V to 240 V AC ±10%, 50/60 Hz / 40 W (at 100 V to 120 V AC)
Dimensions / weight	212 (W) x 44 (H) x 350 (D) mm / 3 kg
Accessories	Operation manual (CD-ROM), AC cord
Consumables	Power supply: Replace every 5 years Cooling fan: Replace every 3 years

Thunderbolt is a trademark of Intel Corporation or its subsidiaries in the U.S. and/or other countries.



INNOVATIONS IN VIDEO and AUDIO TECHNOLOGY Head Office: 3-8-1 Ebisu, Shibuya-ku, Tokyo 150-0013, Japan

ISO 9001 and 14001 certified (Sakura R&D)

<http://www.for-a.com/>

FOR-A Corporation of America Corporate Office: Tel: +1-714-894-3311
 11155 Knott Ave., Suite G&H, Cypress, CA 90630, U.S.A.

FOR-A Corporation of America Northeast Office: Tel: +1-201-944-1120
 2 Executive Drive, Suite 670, Fort Lee Executive Park, Fort Lee, NJ 07024, U.S.A.

FOR-A Corporation of America Southeast Office: Tel: +1-305-931-1700
 8333 North West 53rd Street, Suite 450, Doral, FL 33166, U.S.A.

FOR-A Corporation of America Service Center: Tel: +1-352-371-1505
 2400 N.E. Waldo Road, Gainesville, FL 32609, U.S.A.

FOR-A Corporation of Canada: Tel: +1-416-977-0343
 1131A, Leslie Street #209, Toronto, Ontario, M3C 3L8, CANADA

FOR-A Europe S.r.l.: Tel: +39-039-879-778
 Via Volturmo, 37, 20861 Brugherio MB, Italy

FOR-A UK Limited: Tel: +44-(0)20-3044-2935
 Trident Court, 1 Oakcroft Road, Chessington, KT9 1BD, UK

FOR-A Italia S.r.l.: Tel: +39-039-881-086/103
 Via Volturmo, 37, 20861, Brugherio MB, Italy

FOR-A Corporation of Korea: Tel: +82-(0)2-2637-0761
 1007, 57-5, Yangsan-ro, Yeongdeungpo-gu, Seoul 150-103, Korea

FOR-A China Limited: Tel: +86-(0)10-8721-6023
 1307 Huateng Building, No. 302, 3 District, Jinsong, Chaoyang, Beijing 100021, China

FOR-A Middle East-Africa Office: Tel: +971-(0)4-551-5830
 Dubai Media City, Aurora Tower, Office 1407, P.O. Box 502688, Dubai, UAE

Agiv (India) Private Limited (FOR-A India): Tel: +91-22-2673-3623
 2nd Floor, Valecha Chambers, Link Road, Andheri (W), Mumbai 400053, India

FOR-A South East Asia Office: Tel: +852-2110-1352
 Studio 09, Rm. A1, 3/F., Phase 1, Hang Fung Ind. Bldg., 2G Hok Yuen St., Hung Hom, Hong Kong