

12G-SDI Multi-Channel Video Server

MBP-1000VS series

FOR.A[®]

12G-SDI MULTI-CHANNEL VIDEO SERVER
MBP-1000VS SERIES



Choose from a broad range of interfaces including 12G-SDI and 3G-SDI for 12G-SDI transmission. 4K XAVC™ and MPEG2 codecs are available. Whether your video server will be used for ingest, playout, or other applications, the MBP-1000VS Series has a model perfect for your needs. Enjoy the reliability of 4K XAVC and MPEG2 hardware codecs.*1

Plus, add LTO for simultaneous backup*2 or extended recording of 4K content.*3

*1 Switches between recording and playback. *2 One channel only. *3 Up to 18.7 hours of continuous recording to LTO-7 (XAVC Class 300).

MBP-1000VS Series Line-up

MBP-1000VS-P Series

MPEG2 (HD) and MPEG2 (HD422) models

- Choose 4, 6, or 8 channels.
- Choose from four SSD capacities: 1.2 TB, 2.4 TB, 4.8 TB, or 9.6 TB.
- MPEG2 hardware codec support
 MXF recording and playback: 10-bit MPEG2 4:2:0 material at 25/35 Mbps or 4:2:2 material at 50 Mbps

MBP-1000VS-12G Series

4K-compatible models with 12G-SDI interfaces

- Quad-channel HD or 4K input and output
- Choose from four SSD capacities: 4.8 TB, 9.6 TB, or 15 TB
- Quad-channel XAVC codec support
- Can switch between 12G-SDI and Quad Link 3G-SDI.

Series Features

- Support formats: 2160/59.94p*4 or 1080/59.94i
- Redundant power supply as standard
- Full range of playout and ingest system applications. Bridges baseband output from cameras with file-based broadcast workflows.
- Can display time codes or credits on a monitor in sync with the main playout line.
- Control interfaces: Add an optional serial port or GPI port

*4 4K models only

Options

MBP-10IO

External interface expansion option

- AES input/output, LTC input/output, RS-422, GPIO installed
- Port setting software is included.

MBP-10GR/MBP-10GS

10GbE supported network card expansion option

- Supports RJ-45 connector (MBP-10GR) and SFP+ connector (MBP-10GS).
- High-speed incremental transfer to external NAS as well as recording to internal storage SSD are available simultaneously.

MBP-10VS-LTO7

Internal LTO drive option

- Transfer MXF files created during recording to an internal LTO tape drive (one channel only)
- MBP-1000VS-12G series supported

LTO-EU7

Additional, external LTO drive option

- Adds an external LTO drive. (requires MBP-10VS-LTO7)
- LTO backup of generated MXF files
- Playback of MXF files on LTO tape
- Compatible with the MBP-1000VS-12G series

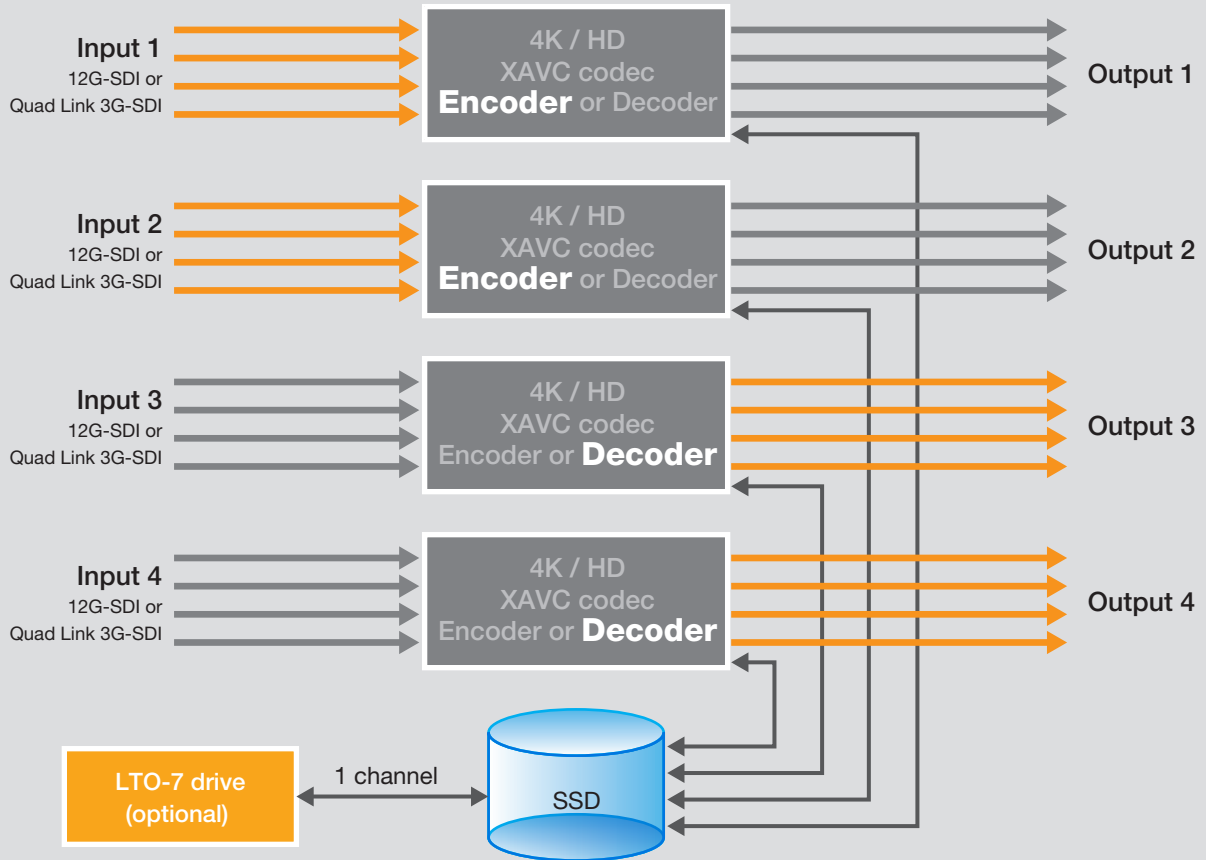


MBP-1000VS SERIES

MBP-1000VS-12G

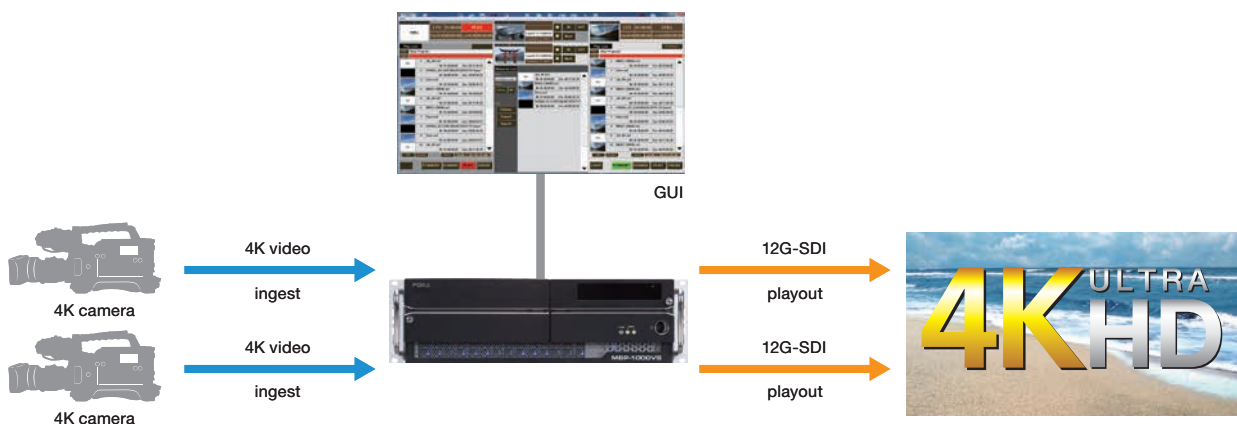
- Quad-channel 4K XAVC codec support. Standard configuration provides two channels for recording and two for playback. Can be configured with up to four channels for recording and four for playback.
- Choose from 12G-SDI or 3G-SDI I/O (maximum two inputs and two outputs via Quad Link 3G-SDI).

MBP-1000VS-12G internal block diagram
(Using two channels for ingest and two for playback)



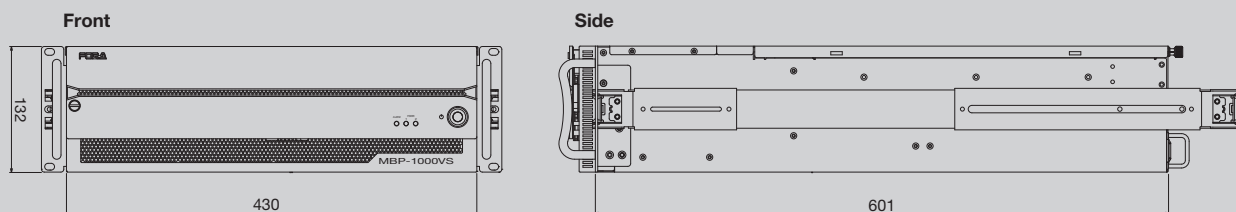
4K ingest/playout

Supports two channels of 4K I/O (via 12G-SDI or Quad Link 3G-SDI) in environments requiring 4K ingest or other ultra high-resolution applications.



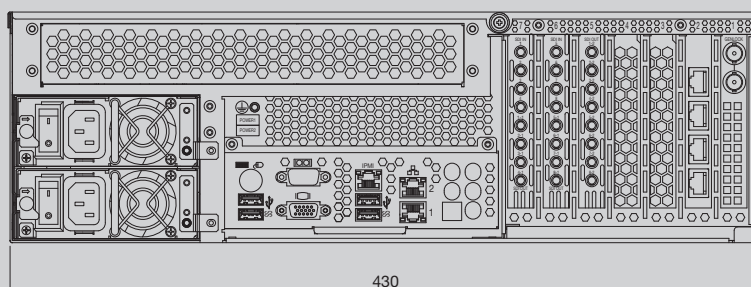
External view

Unit: mm

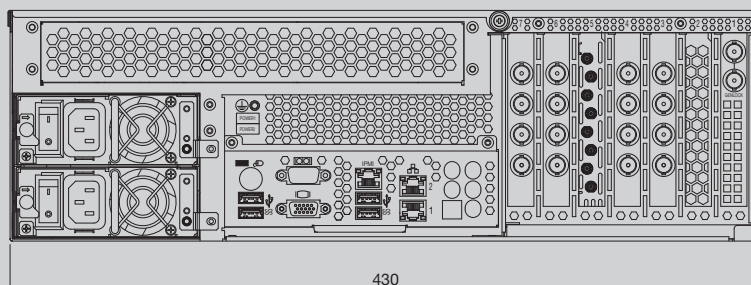


Rear view

MBP-1000VS-P8



MBP-1000VS-12G



Recording time for SSD capacities

Model name		MBP-1000VS--S1**	MBP-1000VS--S2**	MBP-1000VS--S4**	MBP-1000VS--S9**	MBP-1000VS--S15**
SSD		1.2 TB	2.4 TB	4.8 TB	9.6 TB	15 TB
Recording time	XDCAM (50 Mbps)	Approx. 39 hours	Approx. 79 hours	Approx. 159 hours	Approx. 318 hours	—
	XAVC (Class 100)	—	—	Approx. 77 hours	Approx. 155 hours	Approx. 269 hours
	4K-XAVC (Class 300)	—	—	Approx. 15 hours	Approx. 31 hours	Approx. 54 hours
	4K-XAVC (Class 480)	—	—	Approx. 9 hours	Approx. 19 hours	Approx. 34 hours

XAVC is a trademark of Sony Corporation.

Specifications

MBP-1000VS-	P4S+M4 ^{*1} /P6S+M6 ^{*1} /P8S+M8 ^{*1}	12G-S+ ^{*2}
SSD		
System	240 GB	
Data	1.2 TB/2.4 TB/ 4.8 TB/9.6 TB	4.8 TB/9.6 TB 15TB
RAID type		
System	RAID1	
Data	RAID5/RAID50	
Codec		
MPEG-2	MPEG HD422: 1920 x 1080, 8-bit, 4:2:2, 50 Mbps MPEG HD: 1440 x 1080, 8-bit, 4:2:0, 35 Mbps MPEG HD: 1440 x 1080, 8-bit, 4:2:0, 25 Mbps	—
XAVC™	—	Class 480, 300
Number of channels	MPEG2 (Maximum: 8)	XAVC (Maximum: 4)
Video formats		
HD	1080/59.94i	
4K	—	2160/59.94p
Video inputs		
Maximum number of inputs	4/6/8	4 (HD) 4 (4K)
HD	1.5 Gbps, 75Ω, BNC x 4/ DIN 1.0/2.3 x 8	1.5 Gbps, 75Ω, BNC x 8
4K	—	3G: 3 Gbps x 4, 75Ω, BNC x 4 12G: 12 Gbps, 75Ω, HD-BNC x 4
Video outputs		
Maximum number of outputs	4/6/8	4 (HD) 4 (4K)
HD	1.5 Gbps, 75Ω, BNC x 8/ DIN 1.0/2.3 x 16	1.5 Gbps, 75Ω, BNC x 8
4K	—	3G: 3 Gbps, 75Ω, BNC x 4 12G: 12 Gbps, 75Ω, HD-BNC x 4

MBP-1000VS-	P4S+M4 ^{*1} /P6S+M6 ^{*1} /P8S+M8 ^{*1}	12G-S+ ^{*2}
Audio I/O		
Embedded	Up to 8 channels (four stereo pairs, group 1/2), 16/20/24-bit, 48 kHz	
AES	1.0 Vp-p, unbalanced, 75Ω, DIN x 8 (input) / x 8 (output) (stereo x 2), 16/20/24-bit, 48 kHz	
Time code I/O		
Embedded	SMPTE RP188 ATC (VTC or LTC)	
LTC	1.0 Vp-p, unbalanced, 75Ω, DIN x 8 (I/O)	
Time code display	Yes	
Text display	Yes	
Encoding playback channels	P4: 2/P6: 3/P8: 4	2 (4K)
Genlock		
Input	BB: NTSC 0.429 Vp-p or Tri-level Sync: 0.6 Vp-p, 75Ω, BNC x 1, loop-through (to be terminated with 75Ω terminator, if unused)	
Interfaces		
KEY BOARD	PS/2 x 1 (rear)	
MOUSE	PS/2 x 1 (rear)	
RS-232C	9-pin D-sub (male) x 1	
VGA	9-pin D-sub (male) x 1	
USB	USB 3.0 (Standard-A connector) x 6 (2 ports front, 4 rear)	
LAN	100BASE-TX/1000BASE-T, RJ-45 x 6 (2 ports built in, 4 on PCIe expansion card)	100BASE-TX/1000BASE-T, RJ-45 x 2
IPMI	100BASE-TX/1000BASE-T, RJ-45 x 1	
Others		
Redundant power supply	Yes	
Temperature/humidity	10°C to 35°C/20% to 80% (no condensation)	
Power	100 V to 240 V AC ±10%, 50/60 Hz	
Consumption	530 VA (524 W) (100 V - 120 V AC) 550 VA (522 W) (220 V - 240 V AC)	680 VA (680 W) (100 V - 120 V AC) 660 VA (640 W) (220 V - 240 V AC)
Dimensions/weight	430 (W) x 132 (H) x 600 (D) mm EIA 3RU (excluding front panel)/approx. 28 kg	
Consumables (approx. time for replacement after an uninterrupted service at room temperature)	Power unit: Replace every 5 years, Battery: Replace every 5 years, Cooling fans: Replace every 3 years	
Options	MBP-10IO: AES x 8, LTC x 8, RS-422 x 8, GPI x 64 MBP-10VS-LTO: Internal LTO drive LTO-EU7: External LTO drive	

¹ The number (1, 2, 4, 9) after the "S" in the model name shows SSD capacities of 1.2 TB, 2.4 TB, 4.8 TB, and 9.6 TB, respectively. 1.2 TB available only for the MBP-1000VS-P series.
(Example: MBP-1000VS-P4S₂ is a P4S model with an SSD capacity of 2.4 TB)

² The number (2, 4, 9, 15) after the "S" in the model name shows SSD capacities of 4.8 TB, 9.6 TB and 15 TB, respectively. 15 TB available only for the MBP-1000VS-12G series.



Head Office: 3-8-1 Ebisu, Shibuya-ku, Tokyo 150-0013, Japan

FOR-A Corporation of America Corporate Office/ Service Center: Tel: +1 714-894-3311
11155 Knott Ave., Suite G, H & I, Cypress, CA 90630, U.S.A.

FOR-A Corporation of America Northeast Office: Tel: +1 973-220-847
1360 Clifton Ave., Clifton, NJ 07012, U.S.A.

FOR-A Corporation of America Southeast Office: Tel: +1 305-773-7608
2400 N.E. Waldo Road, Gainesville, FL 32609, U.S.A.

FOR-A Corporation of America Support Center: Tel: +1 352-371-1505
2400 N.E. Waldo Road, Gainesville, FL 32609, U.S.A.

FOR-A Latin America and the Caribbean Miami Office: Tel: +1 657-600-5759

FOR-A Latin America and the Caribbean Sao Paulo Office: Tel: +55 (0)11-99913-3751

FOR-A Europe S.r.l.: Tel: +39 039-916-4811
Via Volturmo, 37, 20861 Brugherio MB, Italy

FOR-A UK Limited: Tel: +44 (0)20-3044-2935
Trident Court, 1 Oakcroft Road, Chessington, KT9 1BD, UK

© 2020 FOR-A Company Ltd. FOR-A is a registered trademark of FOR-A Company Ltd. Design and specifications subject to change without notice.

ISO 9001 and 14001 certified
(Sakura R&D)

www.for-a.com

FOR-A Italia S.r.l.: Tel: +39 039-881-086/103
Via Volturmo, 37, 20861, Brugherio MB, Italy

FOR-A Corporation of Korea: Tel: +82 (0)2-2637-0761
1007, 57-5, Yangsan-ro, Yeongdeungpo-gu, Seoul 07271, Korea

FOR-A China Limited: Tel: +86 (0)10-8721-6023
1618 Huateng Building, No. 302, 3 District, Jinsong, Chaoyang, Beijing 100021, China

FOR-A Middle East-Africa Office: Tel: +971 4-551-5830
Office207, DSC Tower, Dubai Studio City, Dubai, UAE

FOR-A India Private Limited. Mumbai Office: Tel: +91-(0)22-2673-3623
2nd Floor, Valecha Chambers, Link Road, Andheri (W), Mumbai 400053, India

FOR-A India Private Limited. Delhi Office: Tel: +91-(0)12-0423-8674
8th floor, World Trade Tower, Sector-16, Noida, Uttar Pradesh 201301, India

FOR-A South East Asia Office: Tel: +852 2110-9227
Studio 09, Rm. A1, 3/F., Phase 1, Hang Fung Ind. Bldg., 2G Hok Yuen St., Hung Hom, Hong Kong

2012NPD