

INSTALLATION GUIDE

HVS-6000PSM

Power Supply Units for Power Redundancy

1st Edition

Upon Receipt

HVS-6000PSM units and their accessories are fully inspected and adjusted prior to shipment. Check your received items against the packing lists below. Check to ensure no damage has occurred during shipment. If damage has occurred, or items are missing, inform your supplier immediately.

◆ **HVS-6000PSM Box**

ITEM	QTY	REMARKS
HVS-6000PSM	1	HVS-6000 requires 2 units HVS-6000M requires 1 unit
AC Cord	1 set	
Installation guide	1	This manual

◆ **Required tool**
Flathead driver

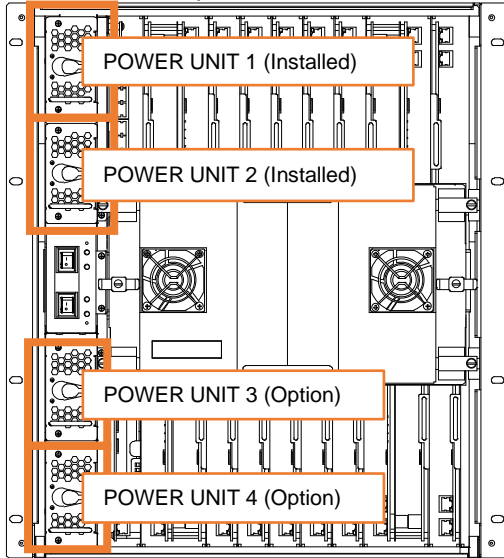
1. Power Unit Installation Slots

HVS-6000PSM is a redundant power unit for HVS-6000/6000M.

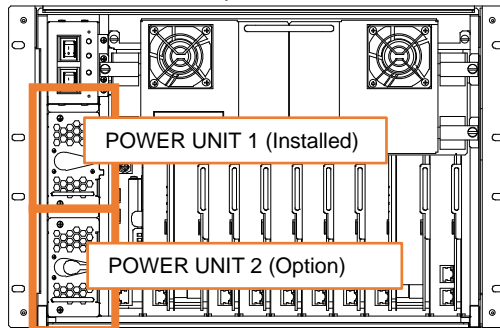
Two units of HVS-6000PSM are required to configure the HVS-6000 power supply as redundant.

One unit of HVS-6000PSM is required to configure the HVS-6000M power supply as redundant.

HVS-6000 front panel



HVS-6000M front panel



2. Redundant Power Unit Installation / Replacement

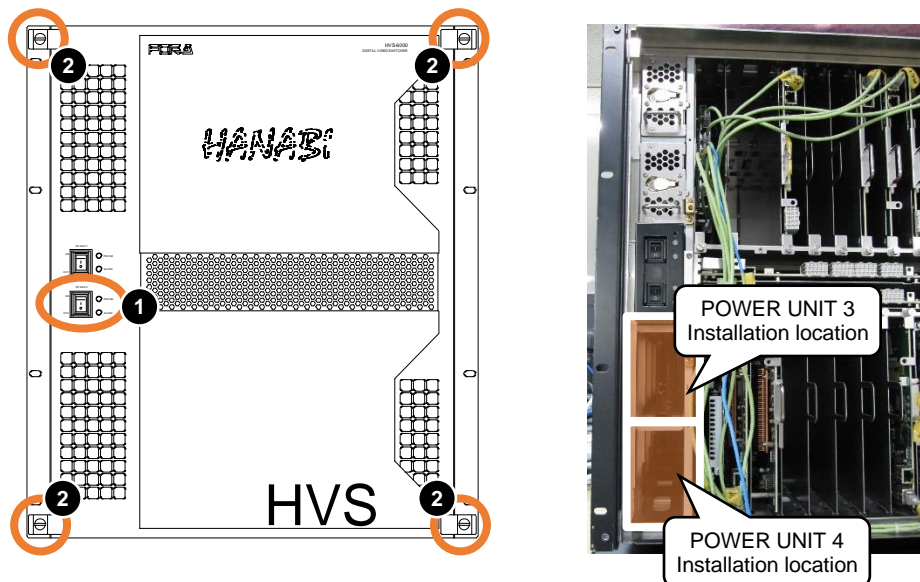
This chapter describes the procedure for making the HVS-6000 power supply a redundant configuration (new installation) and the procedure for replacing the HVS-6000 power supply.

One unit of HVS-6000PSM is required to make the HVS-6000M power supply a redundant configuration. The procedure is the same as in this chapter.

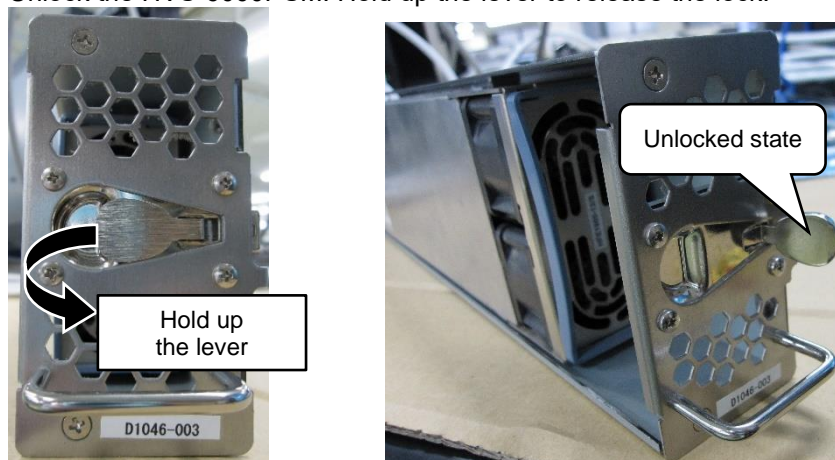
2-1. How to Install a New Power Unit

The following procedure shows how to install two HVS-6000PSM units (POWER UNIT 3 and POWER UNIT 4) on the HVS-6000 for a redundant configuration.

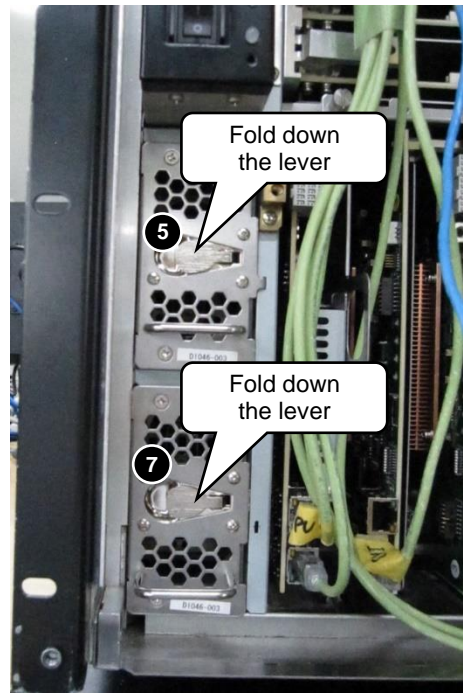
- (1) Turn OFF the POWER 2 switch on the front panel of the HVS-6000, while the POWER 1 switch can be left ON.
- (2) Completely loosen the four fixing screws at the four corners of the front panel, and remove the front panel.



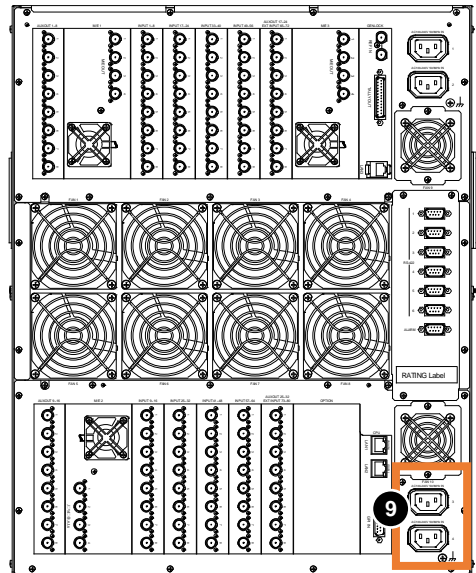
- (3) Unlock the HVS-6000PSM. Hold up the lever to release the lock.



- (4) Insert the HVS-6000PSM all the way to the back in POWER UNIT3 slot.
- (5) Fold down the lever on the HVS-6000PSM to lock it.
- (6) Insert the HVS-6000PSM all the way to the back in POWER UNIT4 slot.
- (7) Fold down the lever on the HVS-6000PSM to lock it.



- (8) Re-install the front panel.
- (9) Plug two power cords on the back of the HVS-6000.



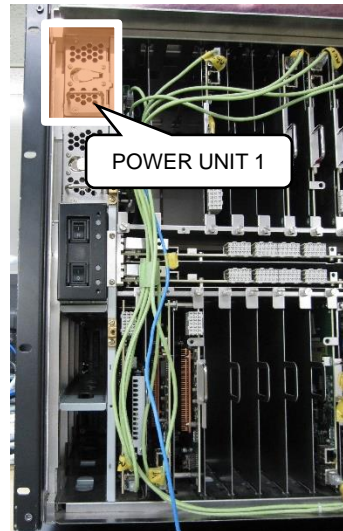
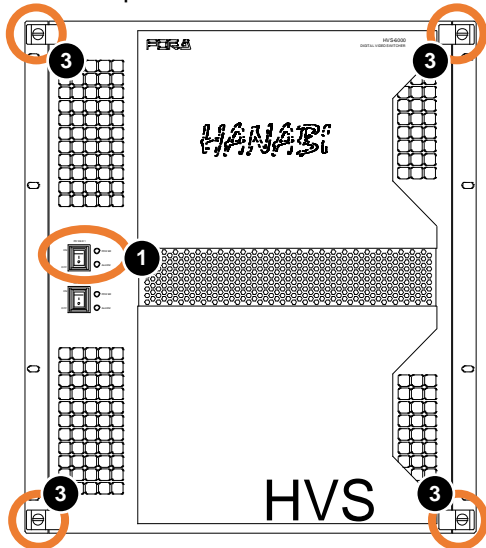
- (10) Verify that the POWER 2 lamp on the front panel is lit orange, then turn ON the POWER 2 switch.
- (11) Open the [SETUP > STATUS > ALARM] menu in the OU and confirm that **SUPPLIED** is displayed in POWER SUPPLY 3 and POWER SUPPLY 4 of the MU.

A new power unit installation is now complete.

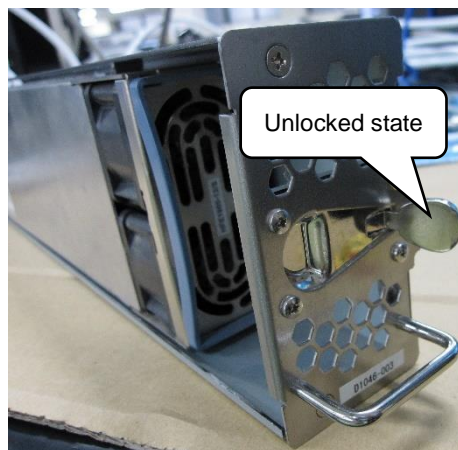
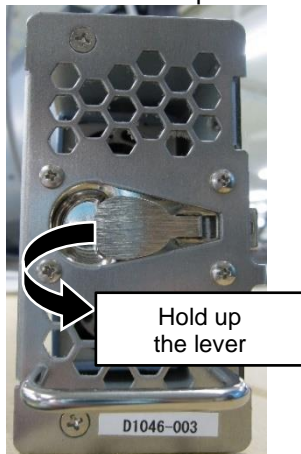
2-2. How to Replace a Power Unit

The following procedure shows how to replace the POWER UNIT 1 of the HVS-6000 to a new power unit set.

- (1) Turn OFF the POWER 1 switch on the front panel of the HVS-6000.
- (2) Disconnect the power cords for POWER 1 on the rear panel.
- (3) Completely loosen the four fixing screws at the four corners of the front panel, and remove the front panel.



- (4) Unlock the POWER UNIT 1. Hold up the lever to release the lock.
- (5) Hold the handle and pull out the POWER UNIT 1 toward you.
- (6) Unlock the new power unit (HVS-6000PSM). Hold up the lever to release the lock.



- (7) Insert the new power unit (HVS-6000PSM) all the way to the back, and then fold down the lever to lock it.
- (8) Re-install the front panel.
- (9) Plug the power cords into the back of the HVS-6000.
- (10) Verify that the POWER UNIT 1 lamp on the front panel is lit orange, and then turn ON the POWER 1 switch.
- (11) Open the [SETUP > STATUS > ALARM] menu in the OU, and confirm that **SUPPLIED** is displayed in POWER SUPPLY 1 of the MU.

A power unit replacement is now complete.



FOR-A COMPANY LIMITED

Head Office 3-8-1 Ebisu, Shibuya-ku, Tokyo 150-0013, Japan
Overseas Division Tel: +81(0)3-3446-3936 Fax: +81(0)3-3445-5116
Japan Branch Offices Osaka/Okinawa/Fukuoka/Hiroshima/Nagoya/Sendai/Sapporo
R&D/Production Sakura Center/Sapporo Center

FOR-A Corporation of America Corporate Office/Service Center

11155 Knott Ave., Suite G, H & I, Cypress, CA 90630, U.S.A.
Tel: +1 714-894-3311 Fax: +1 714-894-5399

FOR-A Corporation of America Northeast Office

1360 Clifton Ave., Clifton, NJ 07012, U.S.A.
Tel: +1 973-220-8471 Fax: +1 714-894-5399

FOR-A Corporation of America Southeast Office

Tel: +1-305-773-7608

FOR-A Corporation of America Support Center

2400 N.E. Waldo Road, Gainesville, FL 32609, U.S.A.
Tel: +1 352-371-1505 Fax: +1 714-894-5399

FOR-A Latin America and the Caribbean Miami Office

Tel: +1 657-600-5759

FOR-A Latin America and the Caribbean Sao Paulo Office

Tel: +55 (0)11-99913-3751

FOR-A Europe S.r.l.

Via Volturmo, 37, 20861, Brugherio MB, Italy
Tel: +39 (0)39-916-4811

FOR A UK Limited

Trident Court, 1 Oakcroft Road Chessington, KT9 1BD, U.K.
Tel: +44 (0)20-3044-2935 Fax: +44 (0)20-3044-2936

FOR-A Italia S.r.l.

Via Volturmo, 37, 20861, Brugherio MB, Italy
Tel: +39 (0)39-881-086

FOR-A Corporation of Korea

1007, 57-5, Yangsan-ro, Yeongdeungpo-gu, Seoul 07271, Korea
Tel: +82 (0)2-2637-0761 Fax: +82 (0)2-2637-0760

FOR-A China Limited

1618 Huateng Building, No. 302, 3 District, Jinsong, Chaoyang, Beijing 100021, China
Tel: +86 (0)10-8721-6023 Fax: +86 (0)10-8721-6033

FOR-A Middle East Africa Office

Aurora Tower, Office 1407, Dubai Media City, P.O. Box 502688, Dubai, UAE
Tel: +971 (0)4 551 5830 Fax: +971 (0)4 551 5832

FOR-A India Private Limited. Mumbai Office

2nd Floor, Valecha Chambers, Link Road, Andheri (W), Mumbai 400053, India
Tel: +91-(0)22-2673-3623 Fax: +91-(0)22-2639-3415

FOR-A India Private Limited. Delhi Office

8th floor, World Trade Tower, Sector-16, Noida, Uttar Pradesh 201301, India
Tel: +91-(0)12-0423-8674

FOR-A South East Asia Office

Studio 09, Rm. A1, 3/F., Phase 1, Hang Fung Ind. Bldg., 2G Hok Yuen St., Hung Hom, Hong Kong
Tel: +852 2110-1352

You can download manuals and other documents by registering your email address.
<http://www.for-a.com/>

