

FA-1010 Quick Setup Guide

Packing list

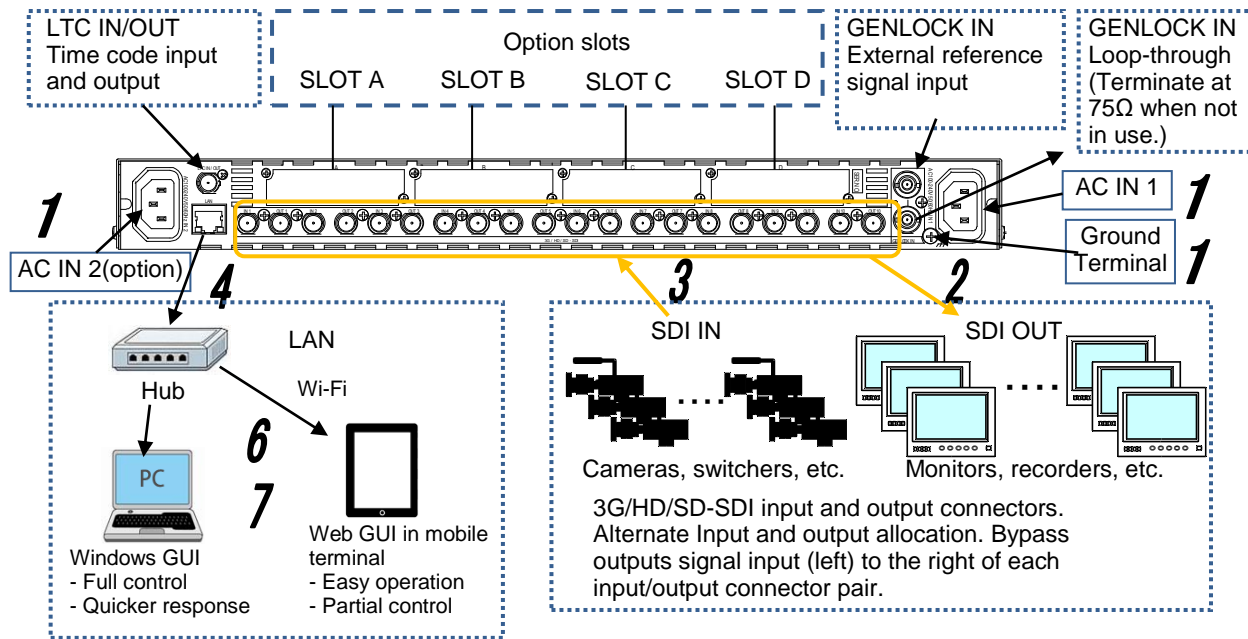
FA-1010: 1, Quick Setup Guide: 1, CD-ROM: 1 (Windows GUI installation disc including Operation Manuals (PDF)), AC cord: 1, AC cord retaining clip: 1 set, Rack mount bracket set: 1 set

Option items: FA-10AES-BL, FA-10AES-UBL, FA-10AES-UBL, FA-10PS, FA-10GPI, GA-10ANA-AUD, FA-10RU, FA-AUX30

Check your received items against the packing lists. Check to ensure no damage has occurred during shipment. If damage has occurred, or items are missing, inform your supplier immediately.



1. Connection and System Configuration



2. Setup Procedure

The procedure is shown numbered in the above figure.

- 1 Apply DC power to the FA-1010 using the supplied AC cord. Secure the cord with the supplied AC cord retaining clip. Ground the unit for your safety.
- 2 Connect monitors and/or recorders to the SDI OUT connectors.
- 3 Connect signal source devices such as video cameras and/or switchers, to the SDI IN connectors.
- 4 Connect a PC to be used for remote control to the FA-1010 LAN connector using a LAN cable.
- 5 Turn the power of the FA-1010 on. When the FA-1010 is powered on, all LEDs on the front panel, including Alarm indicators light. Once startup is complete, current status will be indicated.

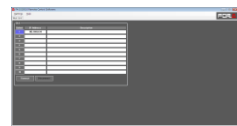
Complete connections before turning the power of the unit on.

After a setting change, do not turn the unit power off for at least 10 seconds. The setting data may otherwise not save properly.

<Control System Selection>

The FA-1010 offers you 2 control systems allowing you to choose in different situations.

- Windows GUI
 - Enables full control over the FA-1010
 - Quicker response compare to the Web GUI
- Web GUI
 - Easy operation on tablet PC or PC
 - No space required

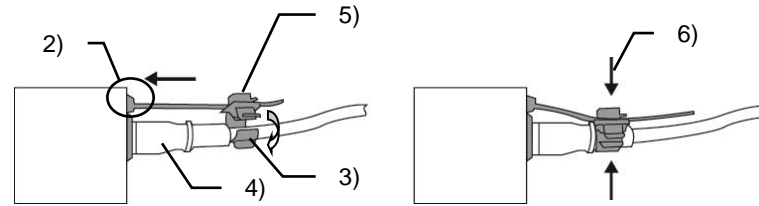


Installing the AC Cord Retaining Clip

After connecting the AC cord, secure the AC cord with the supplied ladder strap/retaining clip assembly to prevent accidental removal from the FA-1010.

Be sure to install the AC cord retaining clip before mounting the unit into a rack.

- 1) Wrap the retaining clip around the AC cord. (with the anchor of the ladder strap toward the unit.)
- 2) Insert the anchor into the hole next to the AC IN socket.
- 3) Lightly fasten the clip around the AC cord.
- 4) Plug in the power cord.
- 5) Slide the clip on the ladder strap toward the plug.
- 6) Fasten the clip tightly.
- 7) Gently pull on the AC cord to ensure it is secured.



- 6 Change the PC network settings for the connection with the FA-1010. Go to **Local Area Connection > General > Internet Protocol (TCP/IP) > General > Properties**, then set the IP address and Subnet mask to match that of the FA-1010.

PC IP address	192.168.0.xxx (xxx is any number from 1 to 254 except for the number set for the FA-1010 unit and gateway number.)
Subnet mask	Set to 255.255.255.0.

*192.168.0.10 is the default IP address.

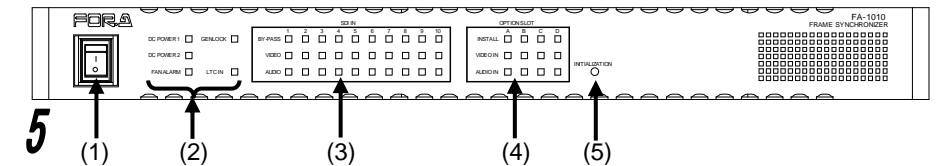
<To start up Windows GUI>

- 7 Install the software, FA-1010 GUI. Open the CD-ROM, and the **FA-1010GUI** folder. Double-click the **Setup** icon to start the setup wizard. Once the GUI starts up and a GUI page opens, enter the FA-1010 IP address to register the unit. Click a number under Select to select a unit, then click Connect to establish a connection with the FA-1010.

<To start up Web GUI>

- 7 Start a web browser on the PC. Enter the FA-1010 IP address into the web browser address bar.

3. Front Panel Indicators



1	Power switch	Used to turn the unit ON / OFF.		
2	Unit status indicator	DC POWER 1/2	Lit green	Power supply is normal.
			Lit red	A power failure has occurred.
		FAN ALARM	Lit green	All fans are operating normally.
			Lit red	One or more fans have failed.
3	SDI IN status indicator	GENLOCK	Lit green	Genlock signal input is present.
			Unlit	No genlock signal input is present.
		LTC IN	Lit green	LTC input is present.
			Unlit	No LTC input is present.
4	OPTION SLOT status indicator	BY-PASS	Lit green	Input signal is being bypassed.
			Unlit	No signal is being bypassed.
		VIDEO	Lit green	Video signal input is present.
			Unlit	No video signal input is present.
		AUDIO	Lit green	Embedded audio signal is present.
			Unlit	No embedded audio signal is present.
5	INITIALIZATION	INSTALL	Lit green	One or more option cards are found and recognized in option slots A to D.
			Unlit	No option card is installed or recognized.
		VIDEO IN	Lit green	Video signal input(s) is/are present in option slot(s).
			Unlit	No video signal input in option slots.
	AUDIO IN	Lit green	Audio signal input(s) is/are present in option slot(s).	
	Unlit	No audio signal input in option slots.		

All setting data will initialize. Back up before executing a reinitialization.

Precautions

- Operate the unit **only** at the specified supply voltage.
- **Ensure** the unit is properly grounded at all times.
- **Ensure** the power cord and connectors are firmly connected.
- **Do not** access circuitry with power applied to the unit.
- Unit **should not** be operated or stored with the cover, panels, and/or casing removed.
- Unit **should not** be operated or stored in a humid, dusty, etc. environment. Doing so could result in fire or electrical shock.
- **Do not** allow fluids, metal fragments, or any other foreign objects to enter the unit. If foreign matter does enter the unit, turn the power off and disconnect the power cord immediately. Remove the material or contact your authorized service representative
- If you notice any strange smells or noises coming from the unit, turn the power off immediately, turn OFF the power switch, disconnect the power cord, then contact your authorized service representative.