

INSTALLATION GUIDE

MFR-32PS

Redundant Power Supply Unit for
MFR-3216RPS/3232RPS

1st Edition

Upon Receipt

Unpacking

MFR-32PS cards and their accessories are fully inspected and adjusted prior to shipment. Check your received items against the packing lists below. Check to ensure no damage has occurred during shipment. If damage has occurred, or items are missing, inform your supplier immediately.

◆ Packing List


ITEM	QTY	REMARKS
MFR-32PS	1	Redundant Power Supply Unit for MFR-3216RPS/3232RPS
Power cord	1 set	AC cable and retaining clip
Installation Guide	1	This guide book

Table of Contents

- 1. Overview.....4
- 2. Installing the MFR-32PS for the First Time.....4
 - 2-1. Removing the Main Unit Front Panel.....4
 - 2-2. Installing the Power Unit4
 - 2-3. Closing the Front Panel.....5
 - 2-4. Changing the Power Unit Installation Setting5
- 3. Replacing the Power Unit.....6
 - 3-1. Removing the Main Unit Front Panel.....6
 - 3-2. Removing the Power Unit6
 - 3-3. Installing the Power Unit6
 - 3-4. Closing the Front Panel.....6
 - 3-5. Changing the Power Unit Installation Setting6

1. Overview

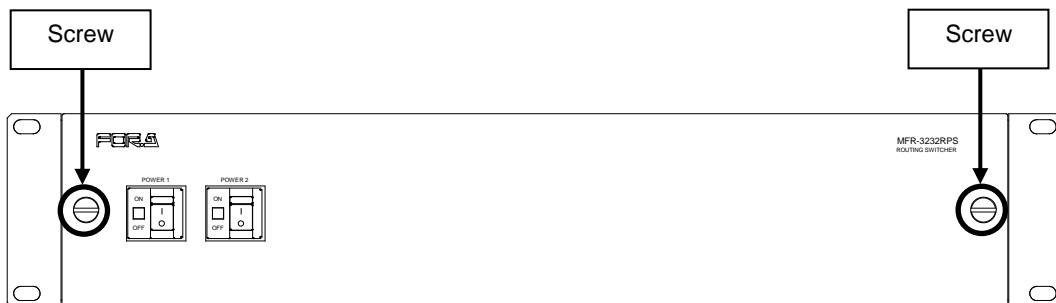
MFR-32PS is a power supply unit for MFR-3216RPS/3232RPS units. An MFR-3216RPS/3232RPS has two power supply slots and comes with a power supply unit installed in one slot as the standard configuration. Installing an optional MFR-32PS allows the unit to keep running in the event that one of the power supply units were to fail.

 <p>CAUTION</p>	<p>Installing this option requires the unit interior to be accessed by opening the panel. Installation should only be performed by qualified technical personnel. The power should be turned OFF and all unit power cords disconnected before an installation is performed.</p>
---	---

2. Installing the MFR-32PS for the First Time

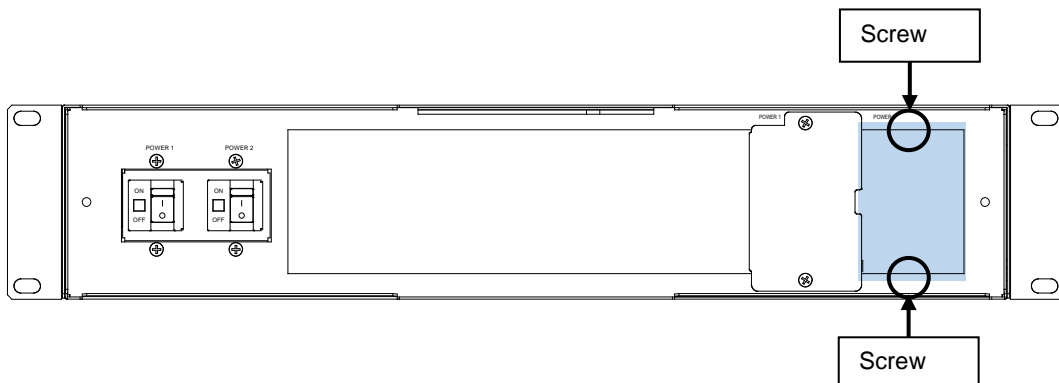
2-1. Removing the Main Unit Front Panel

Remove the screws on both sides of the front panel, and remove the front panel. (The figure below shows an MFR-3232RPS)



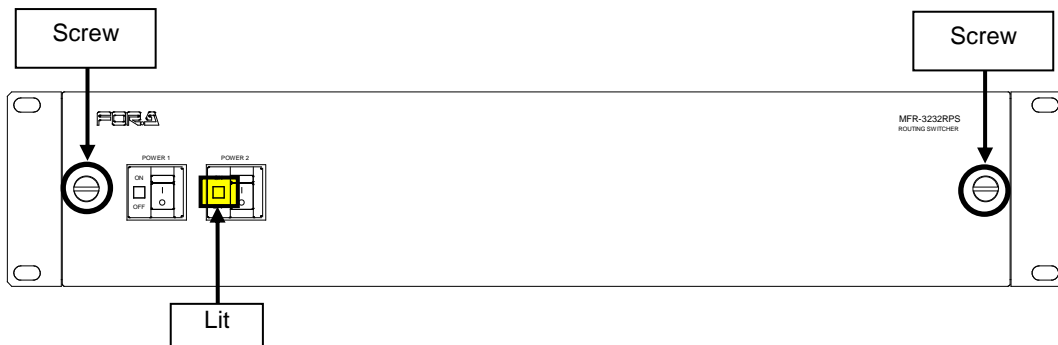
2-2. Installing the Power Unit

- (1) Take out the power unit from the packaging box.
- (2) Align the power unit in the installation position and carefully insert the power unit, in the same orientation as POWER 1.
- (3) After firmly inserting the power unit, tighten the screws as shown below.



2-3. Closing the Front Panel

- (1) Close the front panel and tighten the screws on both sides of the front panel.
- (2) Connect the power cord and turn on the POWER 1 and POWER 2 switches.
- (3) Verify that the POWER 2 LED is lit green.



2-4. Changing the Power Unit Installation Setting

Connect the main unit and computer and access MFR-SERIES Web-based Control.

- (1) In Web-based Control, open the MU Settings screen.
- (2) Select **Installed** for **Power Supply 2** under **Power Supply Unit**.
- (3) Click **Send** to save the setting.

The screenshot shows the 'MU Settings' web interface. The 'Power Supply Unit' section is highlighted, showing the configuration for Power Supply 1 and Power Supply 2. Power Supply 1 is set to 'None' and Power Supply 2 is set to 'Installed'. The 'Send' button is visible at the top left of the settings area.

CPU	
PrimaryCPU	IP Address: 192.168.1.10
	Subnet Mask: 255.255.255.0
SecondaryCPU	IP Address: 192.168.1.11
	Subnet Mask: 255.255.255.0

System

Format 1: 1080 59.941

Alarm Connector	
Alarm1	Alarm2
<input checked="" type="checkbox"/> FAN	<input type="checkbox"/> FAN
<input type="checkbox"/> POWER	<input checked="" type="checkbox"/> POWER
<input type="checkbox"/> Secondary CPU Error	<input type="checkbox"/> Secondary CPU Error
<input type="checkbox"/> CPU Changeover	<input type="checkbox"/> CPU Changeover
<input type="checkbox"/> Crosspoint Error	<input type="checkbox"/> Crosspoint Error

Tally Control Unit

MFR-TALM (ExternalUnit)

MFR-3232 (MainUnit)

TALM ID: 60

Master Switching: From Build Settings

Power Supply Unit

Select current states for alarm indication.

Power Supply 1: None Installed

Power Supply 2: None Installed

Log Output

Destination 1

IP Address: 0 . 0 . 0 . 0

Port: 0

Destination 2

IP Address: 0 . 0 . 0 . 0

Port: 0

3. Replacing the Power Unit

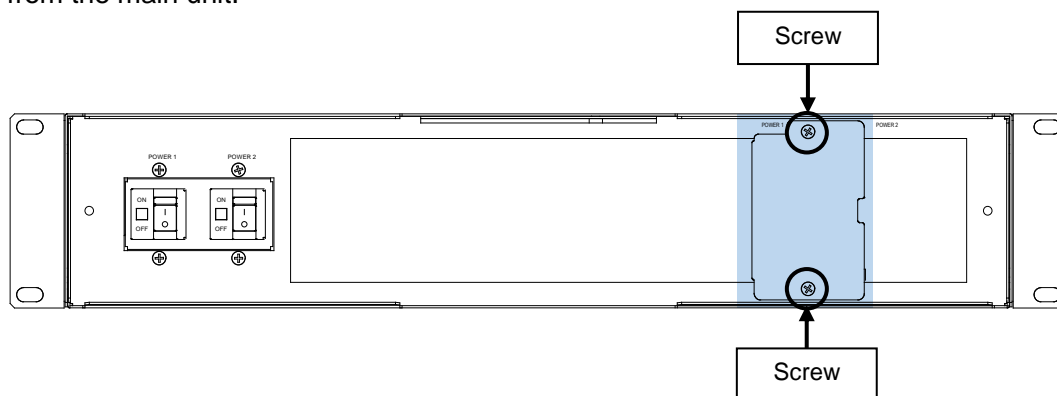
3-1. Removing the Main Unit Front Panel

Remove the screws on both sides of the front panel, and remove the front panel. (The figure below shows an MFR-3232RPS)



3-2. Removing the Power Unit

- (1) Refer to the figure below and loosen the screws securing the damaged power unit.
- (2) Slowly pull the power unit straight out. Be sure that the power unit is completely removed from the main unit.



3-3. Installing the Power Unit

- (1) Take out the power unit from the packaging box.
- (2) Align the power unit in the installation position and carefully insert the power unit.
- (3) After firmly inserting the power unit, tighten the screws (See the figure in Section 2-2).

3-4. Closing the Front Panel

- (1) Close the front panel and tighten the screws on both sides of the front panel.
- (2) Connect the power cord and turn on the POWER 1 and POWER 2 switches.
- (3) Verify that the POWER 2 LED is lit green (See the figure in Section 2-3).

3-5. Changing the Power Unit Installation Setting

Connect the main unit and computer and access MFR-SERIES Web-based Control.

- (1) In Web-based Control, open the MU Settings screen.
- (2) Change the **Power Supply 1/2 setting** under **Power Supply Unit** according to the actual installation situation.
- (3) Click **Send** to save the setting.



FOR-A COMPANY LIMITED

Head Office 3-8-1 Ebisu, Shibuya-ku, Tokyo 150-0013, Japan
Overseas Division Tel: +81(0)3 3446 3936 Fax: +81(0)3 3446 1470
Japan Branch Offices Osaka/Okinawa/Fukuoka/Hiroshima/Nagoya/Sendai/Sapporo
R&D/Production Sakura Center/Sapporo Center

FOR-A Corporation of America

11155 Knott Ave., Suite G&H, Cypress, CA 90630, USA.
Tel: +1 714 894 3311 Fax: +1 714 894 5399

FOR-A Corporation of America East Coast Office

2 Executive Drive, Suite 670, Fort Lee Executive Park, Fort Lee, NJ 07024, USA
Tel: +1 201 944 1120 Fax: +1 201 944 1132

FOR-A Corporation of America Distribution & Service Center

2400 N.E. Waldo Road, Gainesville, FL 32609, USA
Tel: +1 352 371 1505 Fax: +1 352 378 5320

FOR-A Corporation of America Miami Office

5200 Blue Lagoon Drive, Suite 760, Miami, FL 33126, USA
Tel: +1 305 931 1700 Fax: +1 305 264 7890

FOR-A Corporation of Canada

1131A, Leslie Street Suite 209, Toronto, Ontario M3C 2J6, Canada
Tel: +1 416 977 0343 Fax: +1 416 977 0657

FOR-A Europe S.r.l.

Via Volturmo 37, 20861 Brugherio MB, Italy
Tel: +39 039 91 64 811 Fax: +39 039 878 140

FOR A UK Limited

Trident Court, 1 Oakcroft Road, Chessington, KT9 1BD, UK
Tel: +44 (0)20 3044 2935 Fax: +44(0)20 3044 2936

FOR-A Italia S.r.l.

Via Volturmo 37, 20861 Brugherio MB, Italy
Tel: +39 039 881 086/103 Fax: +39 039 878 140

FOR-A Corporation of Korea

1007, 57-5, Yangsan-ro, Yeongdeungpo-gu, Seoul 150-103, Korea
Tel: +82 (0)2 2637 0761 Fax: +82 (0)2 2637 0760

FOR-A China Limited

708B Huateng Building, No. 302, 3 District, Jinsong, Chaoyang, Beijing 100021, China
Tel: +86 (0)10 8721 6023 Fax: +86 (0)10 8721 6033

FOR-A Middle East-Africa Office

Dubai Media City, Aurora Tower, Office 1407, P.O. Box 502688, Dubai, UAE
Tel: +971 (0)4 551 5830 Fax: +971 (0)4 551 5832

Agiv (India) Private Limited (FOR-A India)

2nd Floor, Valecha Chambers, Link Road, Andheri(W), Mumbai 400053
Tel: +91-22-26733623 Fax: +91-22-26393415